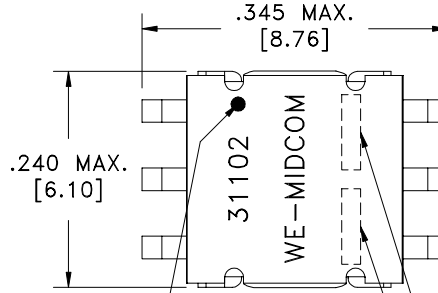
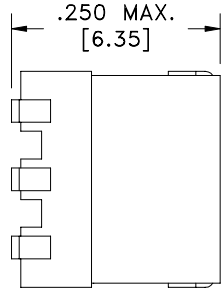
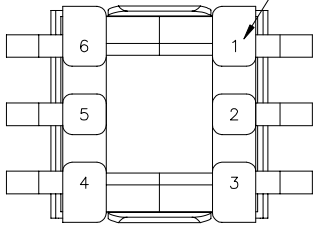


SOLDER SUFFIX	CUSTOMER TERMINAL	RoHS	LEAD(Pb)-FREE
LF1	Sn96%, Ag4%	Yes	Yes

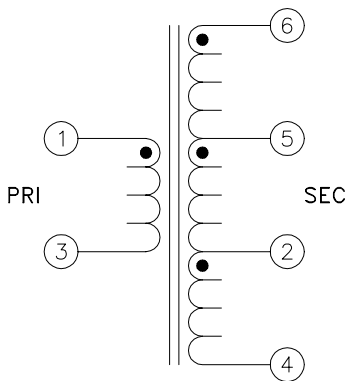
TERM. NO.'s FOR REF. ONLY



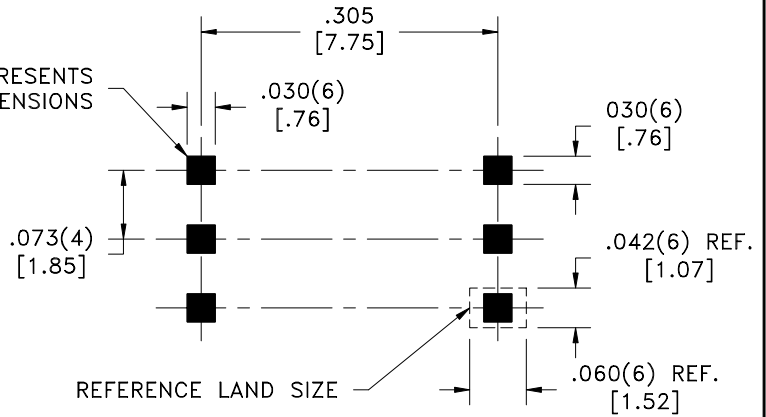
DOT LOCATES TERM. #1

LOT CODE & DATE CODE

SOLDER SUFFIX



AREA REPRESENTS TERMINAL PAD DIMENSIONS



REFERENCE LAND SIZE

CUSTOMER TO DETERMINE LAND LAYOUT

ELECTRICAL SPECIFICATIONS @ 25°C unless otherwise noted:

D.C. RESISTANCE (@20°C):	1-3, 1.25 ohms max. 6-5, 2.60 ohms max. 5-2, 1.40 ohms max. 2-4, 2.15 ohms max.
DIELECTRIC RATING:	500VDC, for 1 second between PRI-SEC.
INDUCTANCE:	10uH ±25%, 10kHz, 10mVAC, 3-1, Ls.
LEAKAGE INDUCTANCE:	1.2uH max., 100kHz, 100mVAC, 3-1(tie 4+6), Ls.
URNS RATIO:	(6-5):(1-3) = 2:1, ±1%. (5-2):(1-3) = 1:1, ±1%. (2-4):(1-3) = 1.5:1, ±1%.

DETAILS SUBJECT TO CHANGE

Unless otherwise specified:
Tolerances:
Angles: ±1°
Fractions: ±1/64
Decimals: ±.005[.13]

DRAWING TITLE

TRANSFORMER

eiSos p/n: 750031102



DRAWING NO.

31102R-LF1

REV.

6A
2/08

REVISIONS: SEE SHEET 1

SCALE ---

SHEET 2 OF 5

DWG # 31102R-LF1

This drawing is dual dimensioned.
Dimensions in brackets are in millimeters.