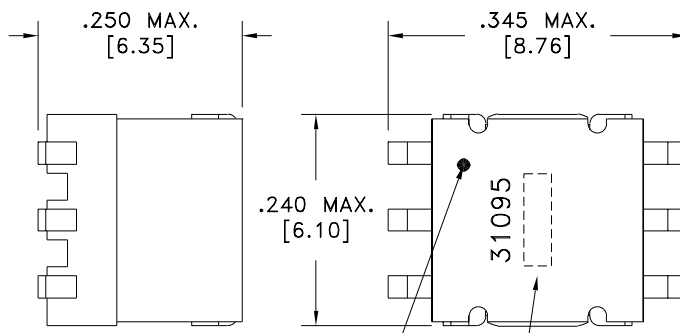
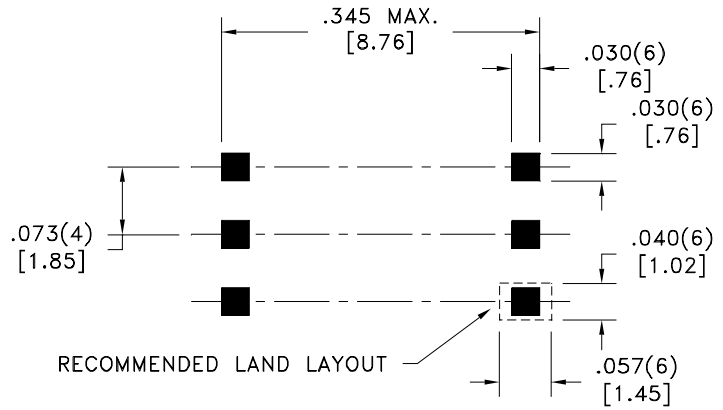
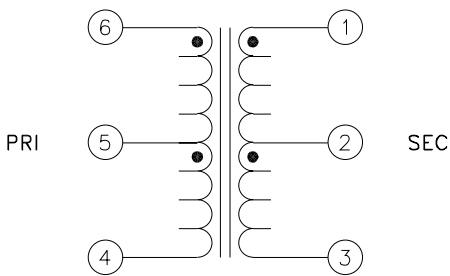


TERM. NO.'s FOR REF. ONLY



DOT LOCATES TERM. #1

LOT CODE & DATE CODE



RECOMMENDED LAND LAYOUT

TERMINAL PAD DIMENSIONS
CUSTOMER TO DETERMINE LAND SIZE

ELECTRICAL SPECIFICATIONS @ 25°C unless otherwise noted:

D.C. RESISTANCE (@20°C): 6-5, 0.96 ohms max.
5-4, 0.96 ohms max.
1-2, 2.10 ohms max.
2-3, 2.10 ohms max.

DIELECTRIC RATING: 1250VDC, 1 minute tested by applying 1500VDC for 1 second between PRI-SEC.

INDUCTANCE: 392uH min., 10kHz, 100mVAC, 6-5, Ls.

TURNS RATIO: (5-4):(6-5) = 1:1, ±1%.
(1-3):(6-5) = 4:1, ±1%.

DETAILS SUBJECT TO CHANGE

Midcom, Inc. Watertown, SD USA Toll Free: 800-643-2661 Fax: 605-886-4486	Unless otherwise specified: Tolerances: Fractions: ±1/64 Angles: ±1° Decimals: ±.005(.127mm)		
	DRAWING TITLE <h1 style="text-align: center;">TRANSFORMER</h1>	DRAWING NO. <h1 style="text-align: center;">31095R</h1>	REV. 6B
This drawing is dual dimensioned. Dimensions in brackets are in millimeters.	REVISIONS: SEE SHEET 1	SCALE ---	SHEET 2 OF 5

DWG.# 31095R