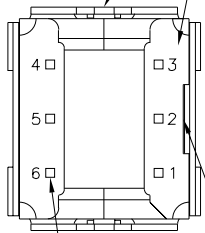


TERM. NO.'s FOR REF. ONLY

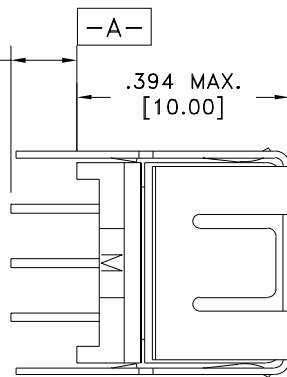
.012 x .036 REF.(2)
[.30 x .91]



.016 SQ.(6)
[.41]

PART MUST INSERT FULLY TO SURFACE A IN RECOMMENDED GRID

.110 MIN.
[2.79]
(6B)



.394 MAX.
[10.00]

.375 MAX.
[9.53]

.430 MAX.
[10.92]

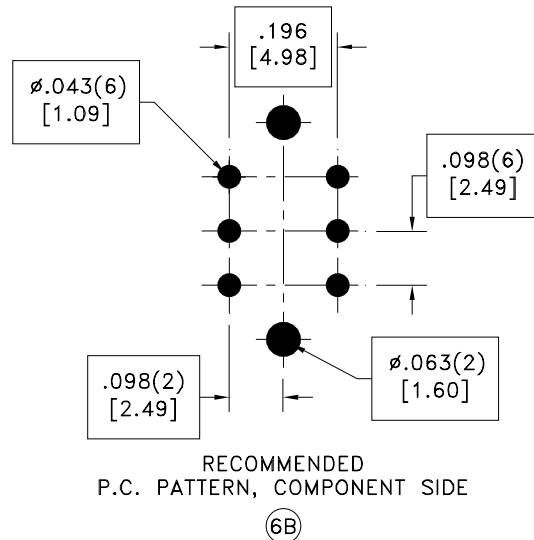
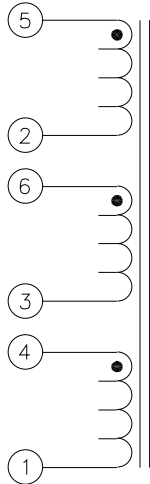
31052

651

DOT LOCATES TERM. #1 (6B)

EIA CODE

LOT & DATE CODE



ELECTRICAL SPECIFICATIONS @ 25°C unless otherwise noted:

D.C. RESISTANCE (@20°C):	0.170 ohms max. for any winding.
DIELECTRIC RATING:	500VAC for 1 second between all windings.
INDUCTANCE:	200uH min., 10kHz, 10mVAC, 5-2, Ls.
URNS RATIO:	(5-2):(6-3) = 1:1, ±1%. (5-2):(4-1) = 1:1, ±1%.

DETAILS SUBJECT TO CHANGE

Midcom, Inc. Watertown, SD USA Toll Free: 800-643-2661 Fax: 605-886-4486	Unless otherwise specified: Tolerances: Fractions: ±1/64 Angles: ±1° Decimals: ±.005(.127mm)		
	DRAWING TITLE <h1 style="text-align: center;">TRANSFORMER</h1>	DRAWING NO. <h1 style="text-align: center;">31052</h1>	REV. 6B
This drawing is dual dimensioned. Dimensions in brackets are in millimeters.	REVISIONS: SEE SHEET 1	SCALE ---	SHEET 2 OF 5

DWG.# 31052