

TERM. NO.'s FOR REF. ONLY

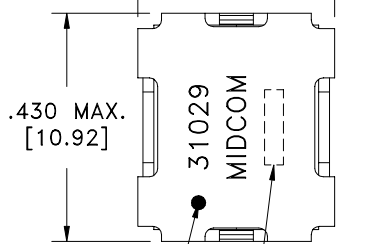
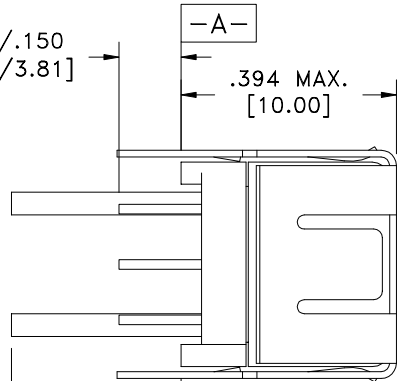
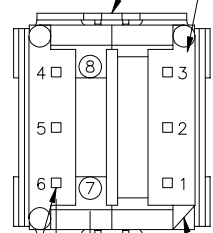
.012 x .036 REF.(2)
[.30 x .91]

.110/.150
[2.79/3.81]

-A-

.394 MAX.
[10.00]

.375 MAX.
[9.53]



.060 REF.
[1.52]

DOT LOCATES TERM. #1 (6E)

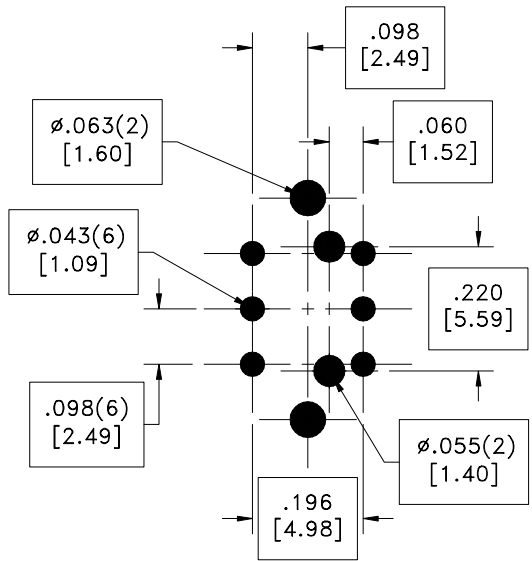
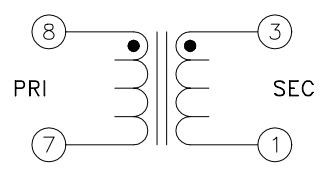
LOT CODE & DATE CODE

.300 ±.040
[7.62 ±1.02]

.017 SQ.(6)
[.43]

CHAMFER LOCATES TERM. #1

PART MUST INSERT FULLY TO SURFACE A IN RECOMMENDED GRID



RECOMMENDED P.C. PATTERN, COMPONENT SIDE

(6B)

ELECTRICAL SPECIFICATIONS @ 25°C unless otherwise noted:

- D.C. RESISTANCE (@20°C): 1-3, 22.4 ohms max.
- DIELECTRIC RATING: 750VDC, 1 minute tested by applying 900VDC for 1 second between PRI-SEC.
- INDUCTANCE: 145.6mH min., 100kHz, 100mVAC, 1-3, Ls.
- TURNS RATIO: (1-3):(7-8) = 200:1, ±0.50%.

(6D)

DETAILS SUBJECT TO CHANGE

Midcom, Inc.

Watertown, SD USA
Toll Free: 800-643-2661
Fax: 605-886-4486

Unless otherwise specified:
Tolerances: Fractions: ±1/64
Angles: ±1° Decimals: ±.005[.13]

DRAWING TITLE
TRANSFORMER

Midcom

DRAWING NO.

31029

REV.

6E
7/05

This drawing is dual dimensioned.
Dimensions in brackets are in millimeters.

REVISIONS: SEE SHEET 1

SCALE ---

SHEET 2 OF 5

DWG # 31029