

TERM. NO.'s FOR REF. ONLY

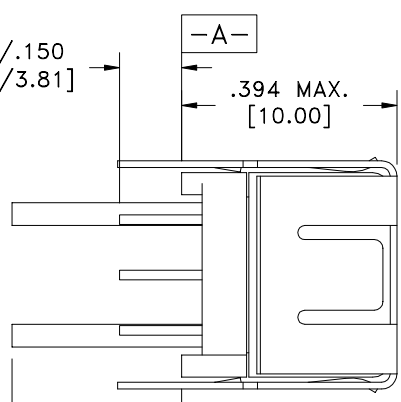
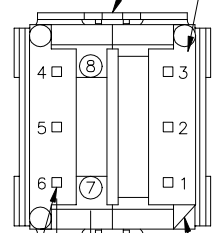
.012 x .036 REF.(2)  
[.30 x .91]

.110/.150  
[2.79/3.81]

-A-

.394 MAX.  
[10.00]

.375 MAX.  
[9.53]



.430 MAX.  
[10.92]

.31028

.651

DOT LOCATES TERM. #1

EIA CODE

LOT & DATE CODE

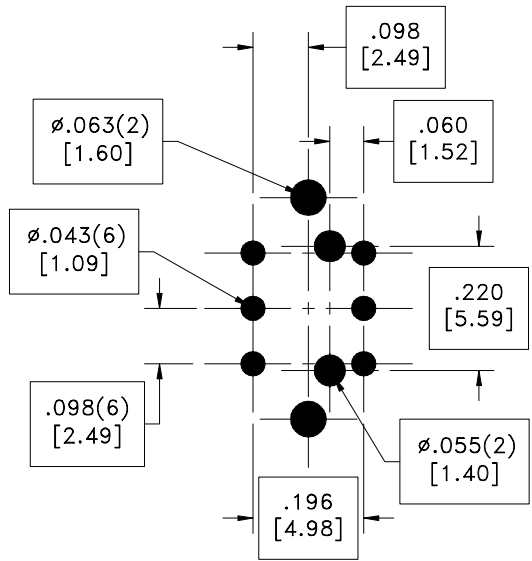
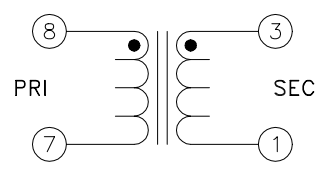
.060 REF.  
[1.52]

.300 ±.040  
[7.62 ±1.02]

.017 SQ.(6)  
[.43]

CHAMFER LOCATES TERM. #1

PART MUST INSERT FULLY TO SURFACE A IN RECOMMENDED GRID



RECOMMENDED P.C. PATTERN, COMPONENT SIDE

(6B)

ELECTRICAL SPECIFICATIONS @ 25°C unless otherwise noted:

- D.C. RESISTANCE (@20°C): 1-3, 5.57 ohms max.
- DIELECTRIC RATING: 750VDC, 1 minute tested by applying 900VDC for 1 second between PRI-SEC.
- INDUCTANCE: 36mH min., 100kHz, 100mVAC, 1-3, Ls.
- TURNS RATIO: (1-3):(7-8) = 100:1, ±0.50%.

Designed to meet the specifications of Compaq.

**Midcom, Inc.**

Watertown, SD USA  
Toll Free: 800-643-2661  
Fax: 605-886-4486

Unless otherwise specified:  
Tolerances: Fractions: ±1/64  
Angles: ±1° Decimals: ±.005(.127mm)

DRAWING TITLE  
**TRANSFORMER**

Midcom

DRAWING NO.

**31028**

REV.

6B  
8/01

This drawing is dual dimensioned.  
Dimensions in brackets are in millimeters.

REVISIONS: SEE SHEET 1

SCALE ---

SHEET 2 OF 5

DWG.# 31028