

**Integrated 2x4
10/100 Base-T RJ45**
Midcom

LANDatacom

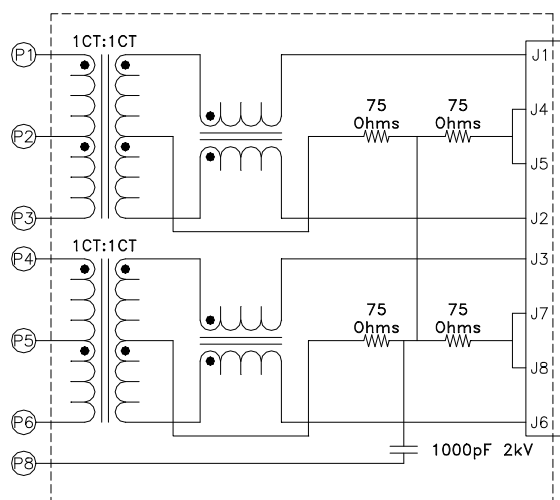
Electrical Characteristics

Inductance	350uH Min.	0.1Vrms, 100kHz, 8mADC
Dielectric Rating	1500VAC	for 1 minute
Turns Ratio	1CT:1CT	±2%
Insertion Loss	-1.0dB typ.	1MHz-100MHz
Return Loss	-20dB typ.	1MHz-10MHz
	-16dB typ.	10MHz-30MHz
	-14dB typ.	30MHz-60MHz
	-12dB typ.	60MHz-80MHz
Cross Talk	-30dB typ.	1MHz-100MHz
Common Mode Rejection	-30dB typ.	1MHz-50MHz
	-20dB typ.	50MHz-150MHz

Features

- Through hole
- AutoMDIX compatible
- Optional PoE compatible designs
- Optional pin-outs and LEDs
- Industry standard connector footprint
- Optimum performance
- Cost Effective
- Operating Temperature 0°C to 70°C
- RoHS compliant

Part Number	LED (left-right)	EMI Tabs
MIC24C10-0101	None	Yes

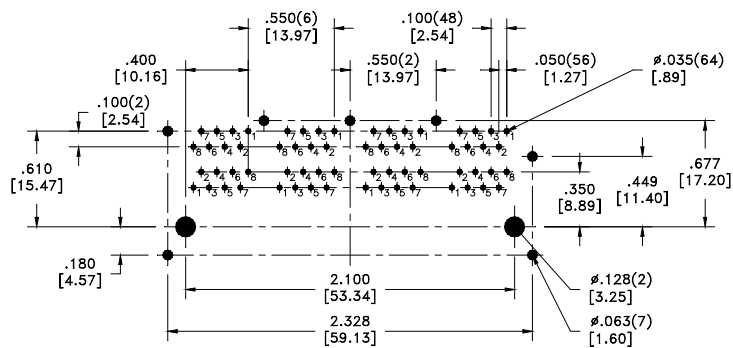
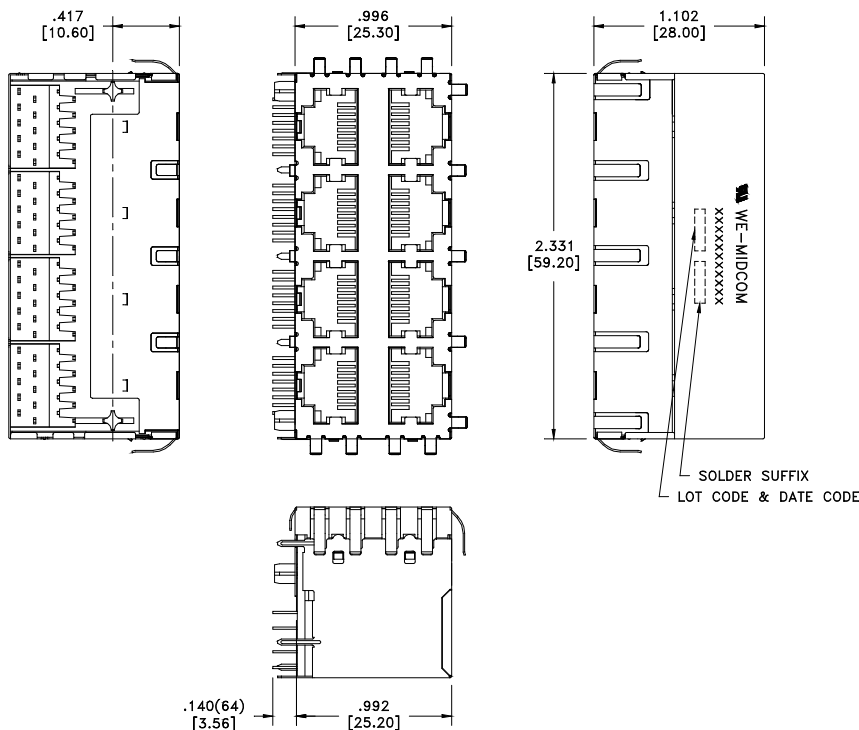

Schematic 1



**Integrated 2x4
10/100 Base-T RJ45**

Midcom

LANDatacom



RECOMMENDED
P.C. PATTERN, COMPONENT SIDE