

**Integrated 1x5  
10/100 Base-T RJ45**
**Midcom**

LANDatacom

**Electrical Characteristics**

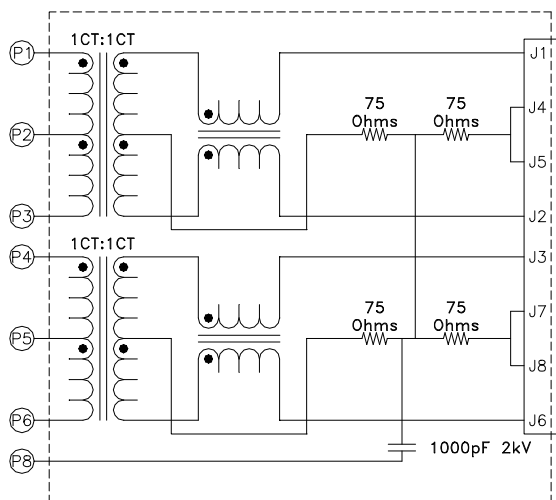
Inductance	350uH Min.	0.1Vrms, 100kHz, 8mADC
Dielectric Rating	1500VAC	for 1 minute
Turns Ratio	1CT:1CT	±2%
Insertion Loss	-1.0dB max.	1MHz-100MHz
Return Loss	-18dB min.	1MHz-30MHz
	-16dB min.	30MHz-45MHz
	-14dB min.	45MHz-60MHz
	-12dB min.	60MHz-80MHz
Cross Talk	-35dB min.	1MHz-100MHz
Common Mode Rejection	-35dB min.	1MHz-100MHz

Note1: Electrical Characteristics for individual part may vary; see specification sheet for actual values.

**Features**

- Through hole
- AutoMDIX compatible
- Optional PoE compatible designs
- Optional pin-outs and LEDs
- Industry standard connector footprint
- Optimum performance
- Cost Effective
- RoHS compliant

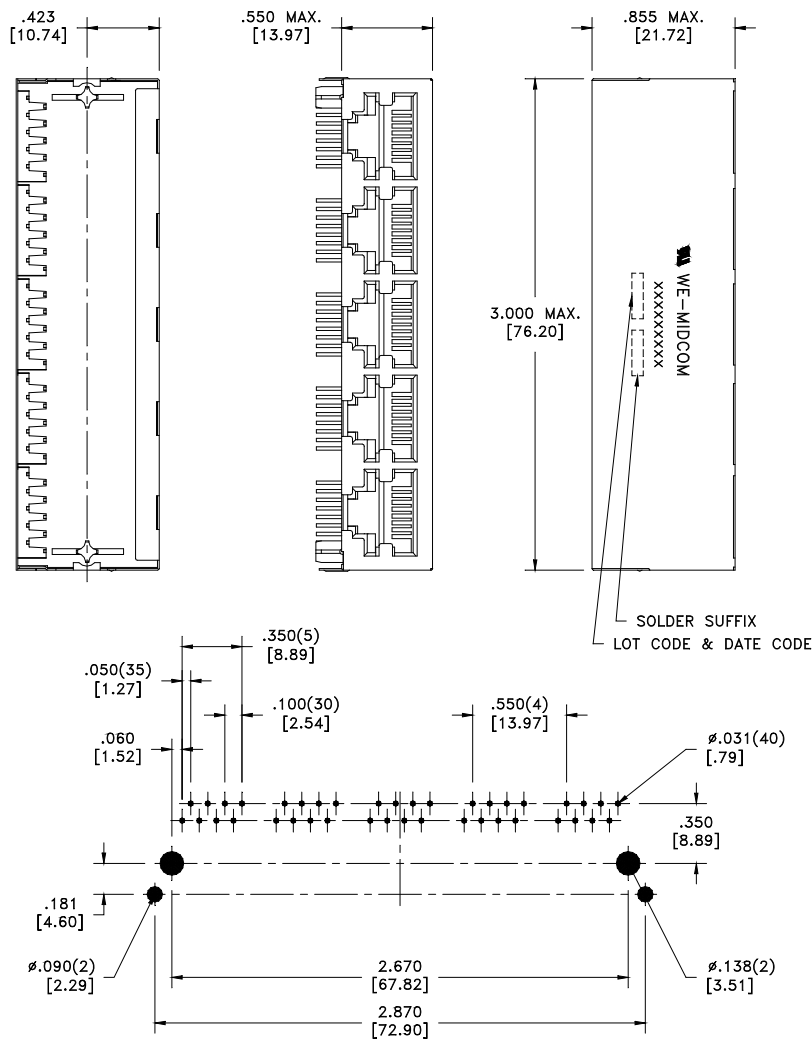
Part Number	LED (left-right)	Tab Direction	EMI Tabs	Temp Range
MIC24910-0101	None	Down	No	0°C to +70°C


**Schematic 1**

**Integrated 1x5  
10/100 Base-T RJ45**

**Midcom**

LANDatacom



RECOMMENDED  
P.C. PATTERN, COMPONENT SIDE

**Mechanical 1**