

**Integrated 1x2
10/100 Base-T RJ45**
Midcom

LANDatacom

Electrical Characteristics

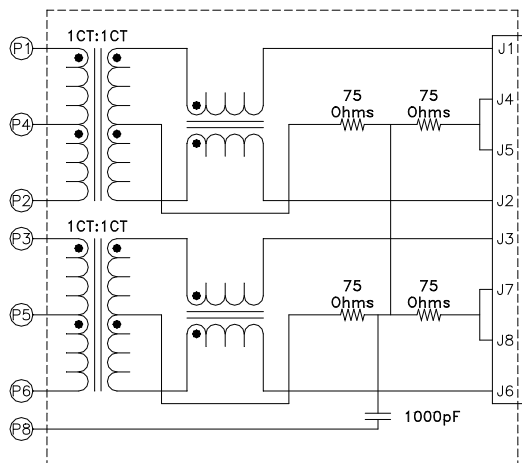
Inductance	350uH Min.	0.1Vrms, 100kHz, 8mADC
Dielectric Rating	1500VAC	for 1 minute
Turns Ratio	1CT:1CT	±2%
Insertion Loss	-1.0dB max.	1MHz-100MHz
Return Loss	-18dB min.	1MHz-30MHz
	-16dB min.	30MHz-45MHz
	-14dB min.	45MHz-60MHz
	-12dB min.	60MHz-80MHz
Cross Talk	-35dB min.	1MHz-100MHz
Common Mode Rejection	-35dB min.	1MHz-100MHz

Note1: Electrical Characteristics for individual part may vary; see specification sheet for actual values.

Features

- Through hole
- AutoMDIX compatible
- Optional PoE compatible designs
- Operating Temperature 0°C to 70°C
- Optional pin-outs and LEDs
- Industry standard connector footprint
- Optimum performance
- Cost Effective
- Both RoHS compliant and lead-terminal parts available

Part Number	LED (left-right)	Tab Direction	EMI Tabs	Mechanical
MIC24810-0104	None	Down	Yes	2
MIC24811-0104	Yellow-Green	Down	Yes	1
7499021220	Green-Green	Down	Yes	1

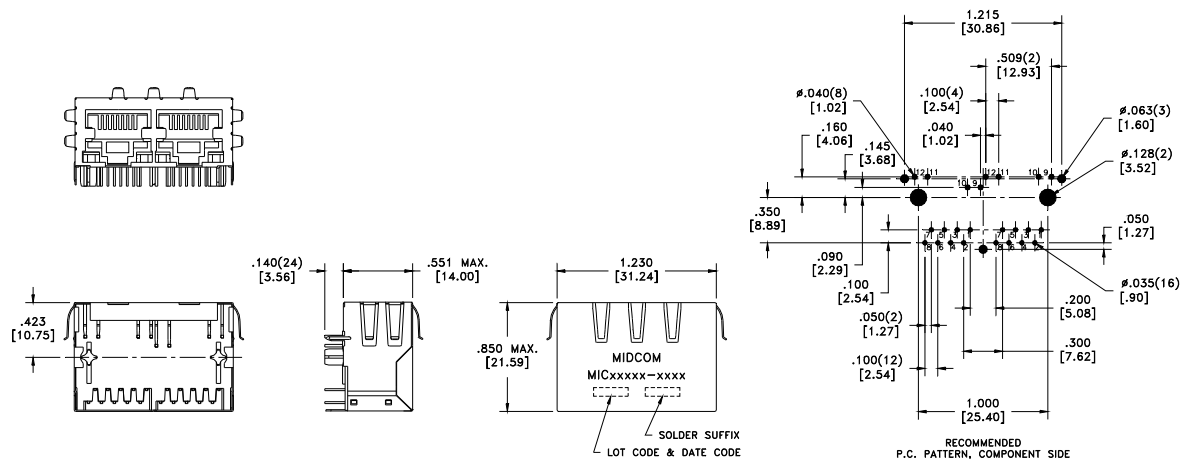

Schematic 1



**Integrated 1x2
10/100 Base-T RJ45**

LANDatacom

Mechanical 1



Mechanical 2

