



Integrated PoE 10/100 Base-T Vertical RJ45

LANDatacom

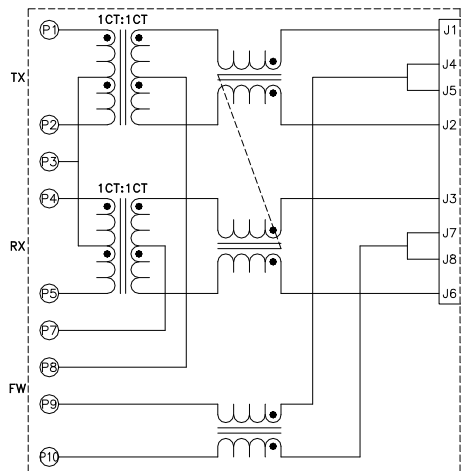
Electrical Characteristics

Inductance	350uH Min.	0.1Vrms, 100kHz, 8mADC
Choke Inductance	36uH Min.	0.1Vrms, 10kHz
Dielectric Rating	1500VAC	for 1 minute
Turns Ratio	1CT:1	±2%
Insertion Loss	-1.0dB max.	1MHz-100MHz
	-18dB min.	1MHz-30MHz
	-16dB min.	30MHz-45MHz
	-14dB min.	45MHz-60MHz
	-12dB min.	60MHz-80MHz
Cross Talk	-30dB min.	1MHz-100MHz
Common Mode Rejection	-30dB typ.	1MHz-100MHz

Features

- Through hole
- PoE compatible (designed for 350mADC and 802.3af)
- Operating Temperature 0°C to +70°C
- Optional pin-outs and LEDs
- Industry standard connector footprint
- Optimum performance
- Cost Effective
- Both RoHS compliant and lead-terminal parts available

Note1: Electrical Characteristics for individual part may vary; see specification sheet for actual values.



Part Number	LED (left-right)	Tab Direction	EMI Tabs
7499210210	Yellow-Green	Down	No

