



Integrated PoE with Diodes 10/100 Base-T Vertical RJ45

LANDatacom

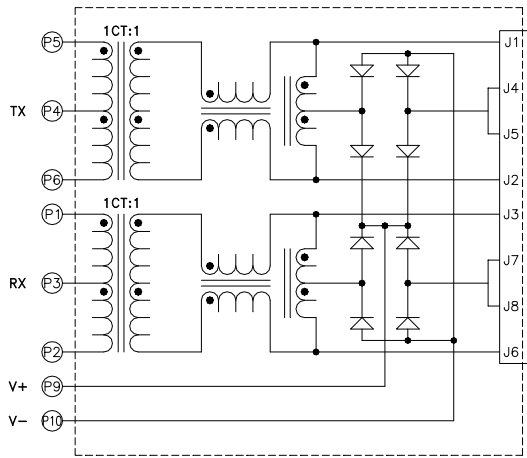
Electrical Characteristics

| | | |
|-----------------------|-------------|------------------------|
| Inductance | 350uH Min. | 0.1Vrms, 100kHz, 8mADC |
| Dielectric Rating | 1500VAC | for 1 minute |
| Turns Ratio | 1CT:1 | ±2% |
| Insertion Loss | -1.0dB max. | 1MHz-100MHz |
| Return Loss | -18dB min. | 1MHz-30MHz |
| | -16dB min. | 30MHz-45MHz |
| | -14dB min. | 45MHz-60MHz |
| | -12dB min. | 60MHz-80MHz |
| Cross Talk | -35dB min. | 1MHz-100MHz |
| Common Mode Rejection | -35dB min. | 1MHz-100MHz |

Note 1: Electrical Characteristics for individual part may vary; see specification sheet for actual values.

Features

- Through hole
- AutoMDIX compatible
- PoE compatible (designed for 350mADC and 802.3af)
- Operating Temperature -40°C to +85°C
- Optional pin-outs and LEDs
- Industry standard connector footprint
- Optimum performance
- Cost Effective
- Both RoHS compliant and lead-terminal parts available



| Part Number | LED (left-right) | Tab Direction | EMI Tabs |
|---------------|------------------|---------------|----------|
| MIC66611-5171 | Yellow-Green | Down | No |

