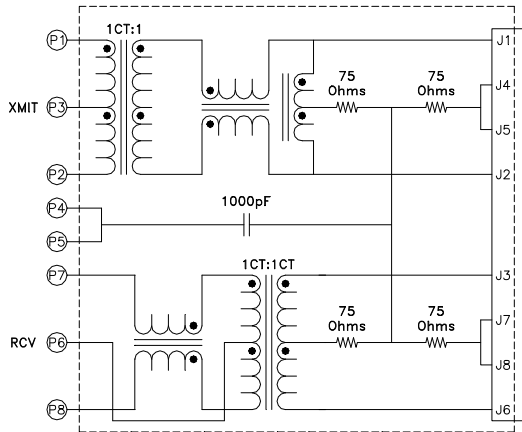




**Integrated 10/100 Base-T RJ45  
Surface Mount MIC25 Series**

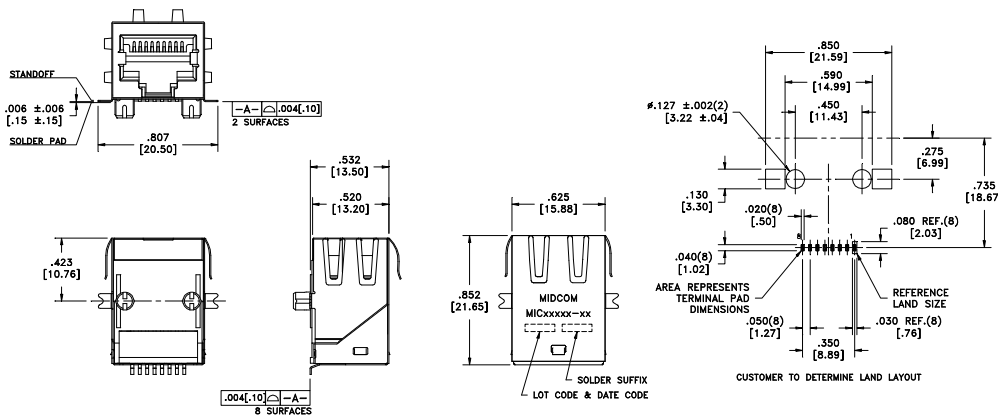
**Midcom**

LANDatacom



**Features**

- Surface Mount
- AutoMDIX compatible
- Operating Temperature 0°C to 70°C
- Optional pin-outs
- Industry standard connector footprint
- Optimum performance
- Cost Effective



| Part Number   | LED (left-right) | Tab Direction | EMI Tabs |
|---------------|------------------|---------------|----------|
| MIC25020-5110 | None             | Down          | Yes      |

**Electrical Characteristics**

|                       |             |                         |
|-----------------------|-------------|-------------------------|
| Inductance            | 350uH Min.  | 0.1Vrms, 100kHz, 8mA DC |
| Dielectric Rating     | 1500VAC     | for 1 minute            |
| Turns Ratio           | 1CT:1CT     | ±2%                     |
| Insertion Loss        | -1.0dB max. | 1MHz-100MHz             |
| Return Loss           | -18dB min.  | 1MHz-30MHz              |
|                       | -16dB min.  | 30MHz-45MHz             |
|                       | -14dB min.  | 45MHz-60MHz             |
|                       | -12dB min.  | 60MHz-80MHz             |
| Cross Talk            | -35dB min.  | 1MHz-100MHz             |
| Common Mode Rejection | -35dB min.  | 1MHz-100MHz             |