

Integrated 10/100 Base-T RJ45 Vertical Through Hole

Midcom

LANDatacom

Electrical Characteristics

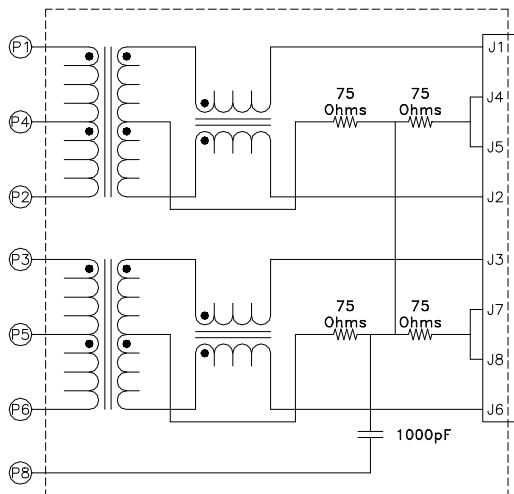
Inductance	350uH Min.	0.1Vrms, 100kHz, 8mADC
Dielectric Rating	1500VAC	for 1 minute
Turns Ratio	1CT:1	±2%
Insertion Loss	-1.0dB max.	1MHz-100MHz
Return Loss	-18dB min.	1MHz-30MHz
	-16dB min.	30MHz-45MHz
	-14dB min.	45MHz-60MHz
	-12dB min.	60MHz-80MHz
Cross Talk	-35dB min.	1MHz-100MHz
Common Mode Rejection	-35dB min.	1MHz-100MHz

Note 1: Electrical Characteristics for individual part may vary; see specification sheet for actual values.

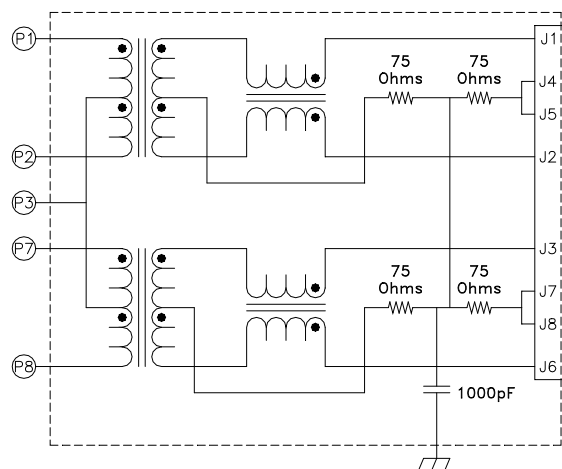
Features

- Through hole
- AutoMDIX compatible
- PoE compatible (designed for 350mADC and 802.3af)
- Operating Temperature 0°C to 70°C
- Optional pin-outs and LEDs
- Industry standard connector footprint
- Optimum performance
- Cost Effective
- RoHS compliant

Part Number	LED (left-right)	Tab Direction	EMI Tabs	Operating Temp. Range	Schematic	Mechanical
MIC24611-5104	Yellow-Green	Down	No	0°C to +70°C	S1	M1
7499010219	Green-Yellow	Down	No	0°C to +70°C	S2	M1
MIC24611-5117	Yellow-Green	Down	No	0°C to +70°C	S1	M2



Schematic 1



Schematic 2

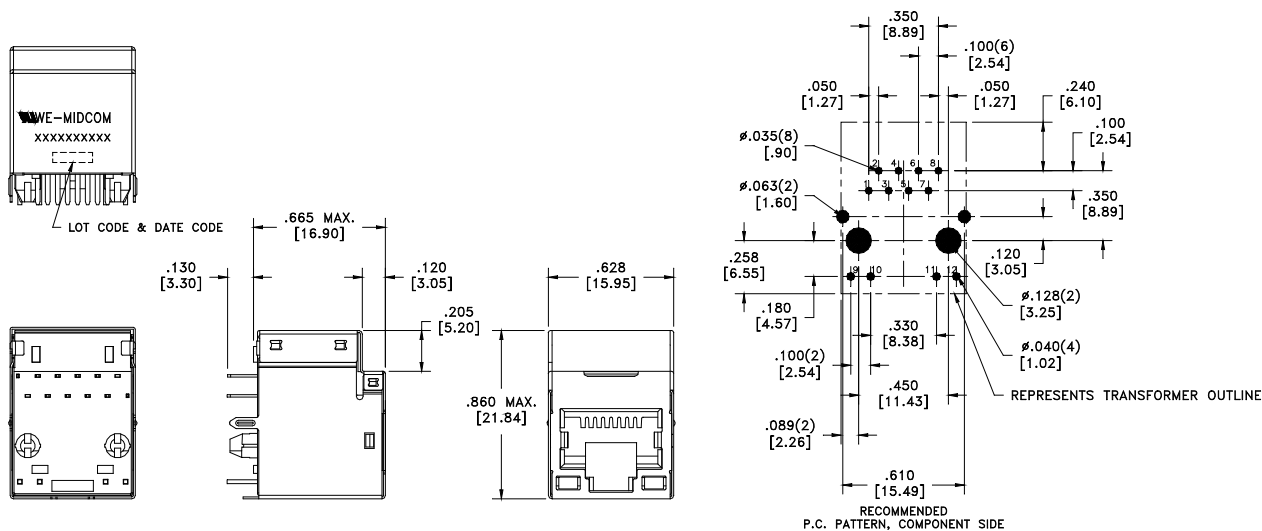


**Integrated 10/100 Base-T RJ45
Vertical Through Hole**

Midcom

LANDatacom

Mechanical—M1



Mechanical—M2

