

# Integrated 10/100 Base-T RJ45 Through Hole MIC24 Series with Protection

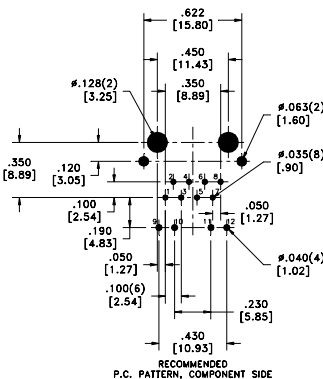
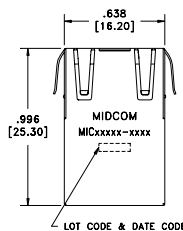
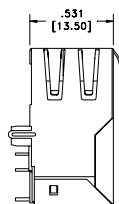
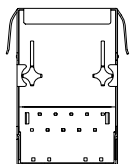
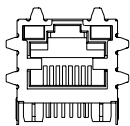
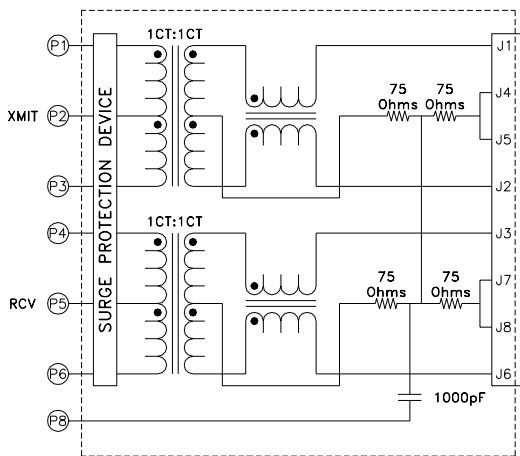
## Typical Electrical Characteristics

Inductance	350uH Min.	0.1Vrms, 100kHz, 8mA DC
Dielectric Rating	1500VAC	for 1 minute
Turns Ratio	1CT:1CT	±2%
Insertion Loss	-1.0dB max.	1MHz-100MHz
Return Loss	-18dB min.	1MHz-30MHz
	-16dB min.	30MHz-45MHz
	-14dB min.	45MHz-60MHz
	-12dB min.	60MHz-80MHz
Cross Talk	-35dB min.	1MHz-100MHz
Common Mode Rejection	-35dB min.	1MHz-100MHz

## Features

- Optional PoE compatible designs
- Optional pin-outs and LEDs
- Industry standard connector footprint
- Optimum performance
- Cost effective
- Both RoHS compliant and lead-terminal parts available

Part Number	LED (left-right)	Tab Direction	EMI Tabs	Operating Temp. Range
MIC24113-0118	Green-Yellow	Up	Yes	0°C to +70°C



Details subject to change. Contact your Midcom sales representative for additional information. Dimensions: in/mm. All tolerances are ±.010/0,25 and electrical specifications are @25°C unless otherwise specified.