



**Integrated 10/100 Base-T RJ45  
Low Profile Surface Mount**

**Midcom**

LANDatacom

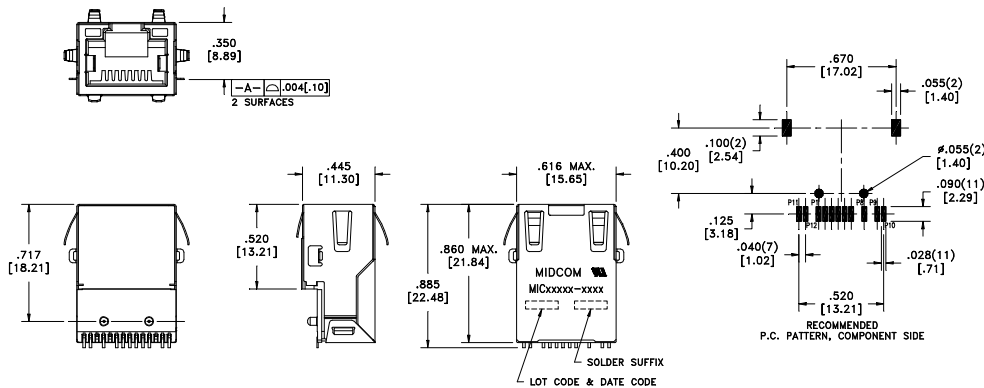
**Electrical Characteristics**

Inductance	350uH Min.	0.1Vrms, 100kHz, 8mADC
Turns Ratio	1CT:1CT	±2%
Insertion Loss	-1.0dB max.	1MHz-100MHz
Return Loss	-18dB min.	1MHz-30MHz
	-16dB min.	30MHz-45MHz
	-14dB min.	45MHz-60MHz
	-12dB min.	60MHz-80MHz
Cross Talk	-35dB min.	1MHz-100MHz
Common Mode Rejection	-35dB min.	1MHz-100MHz

**Features**

- Surface Mount
- Low Profile Design
- AutoMDIX compatible
- Optional pin-outs
- Optimum performance
- Cost Effective
- Both RoHS compliant and lead-terminal parts available

Note1: Electrical Characteristics for individual part may vary; see specification sheet for actual values.



Part Number	LED (left-right)	Tab Direction	EMI Tabs	Dielectric Rating (1 Min.)	Operating Temp. Range
MIC24121-5301	Yellow-Green	Up	Yes	1500VAC	0°C to +70°C
MIC24121-5308	Yellow-Green	Up	Yes	2250VDC	-40°C to +85°C

