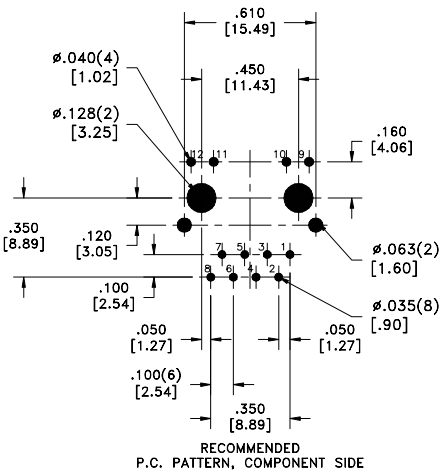
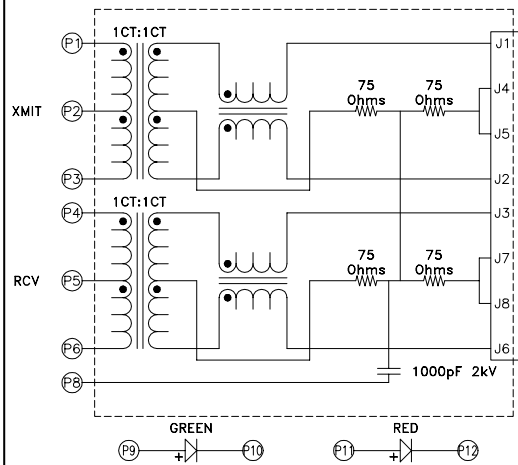
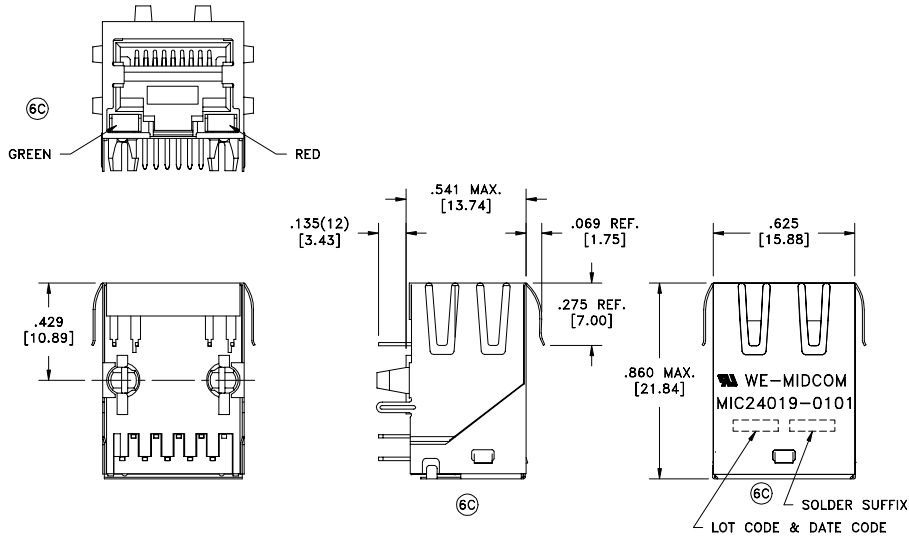


SOLDER SUFFIX	CUSTOMER TERMINAL	RoHS	LEAD(Pb)-FREE <sup>6C</sup>
	Sn100%	No	No
LF3	Sn100%	Yes	Yes



**ELECTRICAL SPECIFICATIONS @ 25°C unless otherwise noted:**

- INDUCTANCE: 350uH min., 100kHz, 100mV, 8mADC, J1-J2; J3-J6, Lp.
- <sup>6C</sup> DIELECTRIC RATING: 1500Vrms for 1 minute between P1-J1(tie P1 thru P8, J1 thru J8).
- URNS RATIO/POLARITY: (P1-P3):(J1-J2) = 1:1, ±2%.  
(P4-P6):(J3-J6) = 1:1, ±2%.
- INSERTION LOSS: -1.0dB max., 1MHz - 100MHz.
- RETURN LOSS: -18dB min., 1M - 30MHz.  
-16dB min., 30M - 45MHz.  
-14dB min., 45M - 60MHz.  
-12dB min., 60M - 80MHz.
- <sup>6B</sup> CROSSTALK: -33dB min., 1MHz - 100MHz.
- COMMON MODE REJECTION: -35dB min., 1MHz - 100MHz.
- OPERATING TEMPERATURE RANGE: 0°C to +70°C.
- Midcom p/n: MIC24019-0101T-LF3 is eiSos p/n: 7499011230.



**MATERIALS AND FINISH:**

- HOUSING: DongYang Debang - Nylon66
- CONTACT: Phosphor Bronze - base material
- CONTACT PLATING: 100% Nickel underplating, 100% Tin Plating, 30u" Gold Plating on Contact Area.
- SHIELD: Brass base material with Nickel Plating.
- CAPACITOR: Novacap or equivalent, 1000pF 2KV.
- LED: Kingbright or equivalent.
- RESISTOR: Kamaya or equivalent, 75 ±1% ohms.

<sup>6B</sup>

REV.	DATE
6C	2/08
6B	3/05
6A	11/04

Packaging Specifications  
Method: Tube  
PKG-0524  
www.midcom-inc.com

Unless otherwise specified:  
Tolerances: Fractions: ±1/64  
Angles: ±1° Decimals: ±.010 [0.25]  
This drawing is dual dimensioned. Dimensions in brackets are in millimeters.

DRAWING TITLE  
**TRANSFORMER**  
RJ45-T8  
eiSos p/n: 7499011230

Midcom www.midcom-inc.com

DRAWING NO. <sup>6C</sup>  
**MIC24019-0101T/-LF3**  
REVISIONS: SEE SHEET 1 SCALE --- SHEET 2 OF 6

<sup>6C</sup>	
AGENCY NUMBER	
UL60950-1	E205930