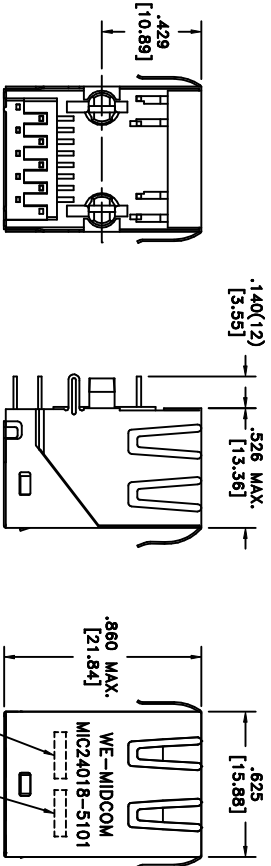
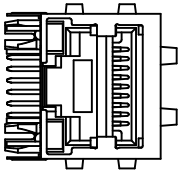
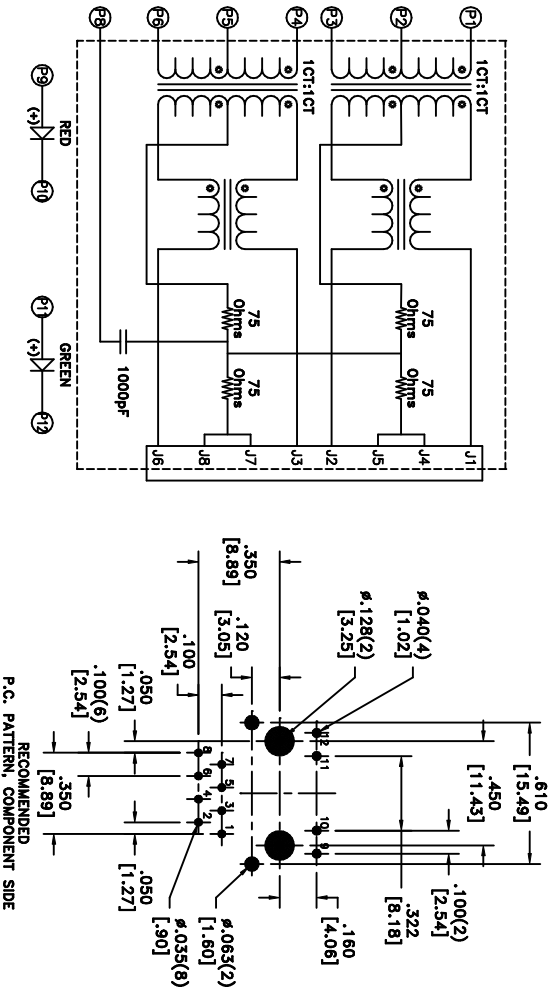


SOLDER SUFFIX	CUSTOMER TERMINAL	RoHS	LEAD(Pb)-FREE
LF3	Sn100%	Yes	Yes



LOT CODE & DATE CODE  
SOLDER SUFFIX



RECOMMENDED  
P.C. PATTERN, COMPONENT SIDE

**ELECTRICAL SPECIFICATIONS @ 25°C unless otherwise noted:**

- INDUCTANCE: 350nH min., 100kHz, 100mV, 6mADC, J1-J2; J3-J6, 1p.
- DIELECTRIC RATING: 1500Vrms for 1 minute between P1-J1(the P3+P4, J2+J3).
- TURNS RATIO/POLARITY: (P1-P3):(J1-J2) = 1:1, ±2%.  
(P4-P6):(J3-J6) = 1:1, ±2%.
- INSERTION LOSS: -1.0dB max., 1MHz - 100MHz.
- RETURN LOSS: -18dB min., 1M - 30MHz.  
-16dB min., 30M - 45MHz.  
-14dB min., 45M - 60MHz.  
-12dB min., 60M - 80MHz.
- CROSSTALK: -35dB min., 1MHz - 100MHz.
- COMMON MODE REJECTION: -35dB typ., 1MHz - 100MHz.
- OPERATING TEMPERATURE RANGE: 0°C to +70°C.
- DESIGNED FOR 10/100 BASE-T APPLICATION.

<p>Unless otherwise specified: Fractions: ±1/64 Angles: ±1° Decimals: ±.005[.127] This drawing is dual dimensioned. Dimensions in brackets are in millimeters.</p>	<p>DRAWING TITLE <b>TRANSFORMER</b> RJ45-18</p>		<p>DRAWING NO. <b>MIC24018-5101T-LF3</b></p>	<p>REV. 6A 2/06</p>
<p>REVISIONS: SEE SHEET 1</p>	<p>SCALE: ---</p>	<p>REVISIONS: SEE SHEET 1</p>	<p>SHEET 2 OF 6</p>	<p>SHEET 2 OF 6</p>