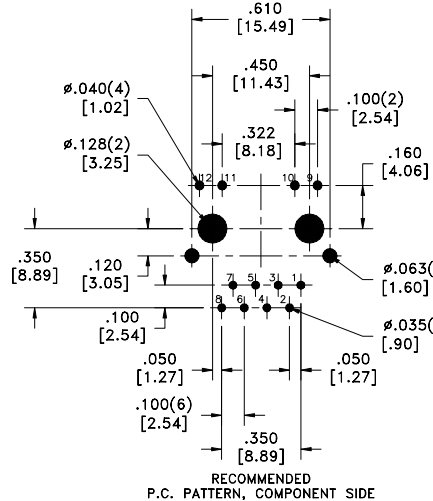
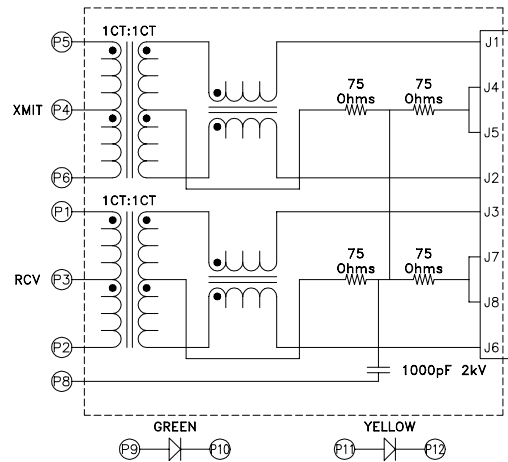
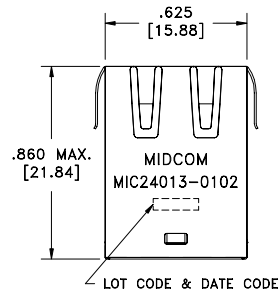
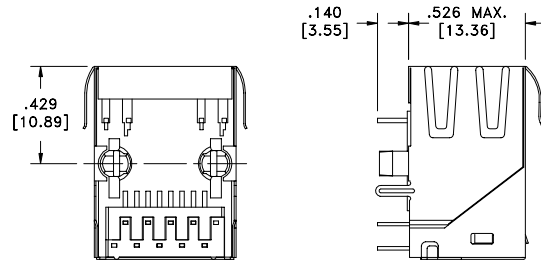
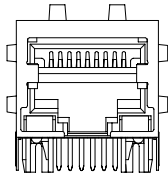


6B



ELECTRICAL SPECIFICATIONS @ 25°C unless otherwise noted:

- INDUCTANCE: 350uH min., 100kHz, 100mV, 8mADC, J1-J2; J3-J6, Lp.
- DIELECTRIC RATING: 1500Vrms for 1 minute between P5-J1(tie P5+P1).
- URNS RATIO/POLARITY: (P5-P6):(J1-J2) = 1:1, ±2%.  
(P1-P2):(J3-J6) = 1:1, ±2%.
- INSERTION LOSS: -1.0dB max., 1MHz - 100MHz.
- RETURN LOSS: -18dB min., 1M - 30MHz.  
-16dB min., 30M - 45MHz.  
-14dB min., 45M - 60MHz.  
-12dB min., 60M - 80MHz.
- CROSSTALK: -35dB min., 1MHz - 100MHz.
- COMMON MODE REJECTION: -35dB min., 1MHz - 100MHz.
- OPERATING TEMPERATURE RANGE: 0°C to +70°C.

MATERIALS AND FINISH:

- HOUSING: DongYang Debang - Nylon66
- CONTACT: Phosphor Bronze - base material
- CONTACT PLATING: 100% Nickel underplating, 100% Tin Plating, 30u" Gold Plating on Contact Area.
- SHIELD: Brass base material with Nickel Plating.
- CAPACITOR: Novacap or equivalent, 1000pF 2KV.
- LED: Kingbright or equivalent.
- RESISTOR: Kamaya or equivalent, 75 ±1% ohms.

**Midcom, Inc.**  
Watertown, SD USA  
Toll Free: 800-643-2661  
Fax: 605-886-4486

Unless otherwise specified:  
Tolerances: Fractions: ±1/64  
Angles: ±1' Decimals: ±.010 [0.25mm]  
This drawing is dual dimensioned. Dimensions in brackets are in millimeters.

DRAWING TITLE  
**TRANSFORMER**  
RJ45-T8



DRAWING NO.  
**MIC24013-0102**

REV.  
6B  
5/05

REVISIONS: SEE SHEET 1

SCALE ---

SHEET 2 OF 6