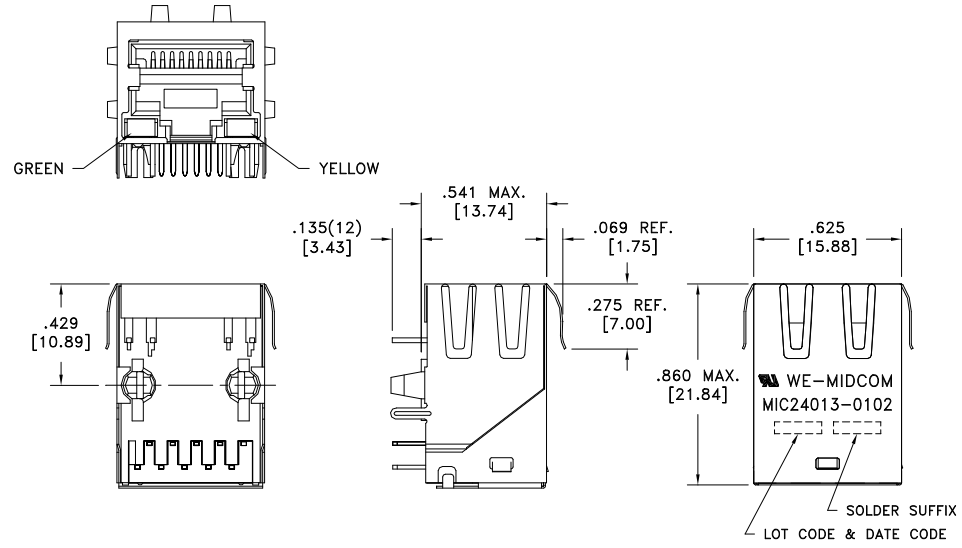
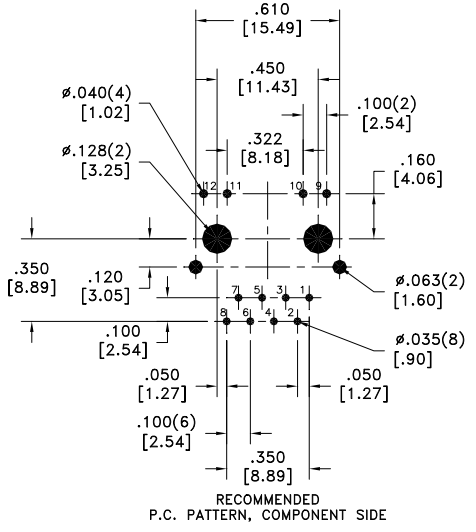
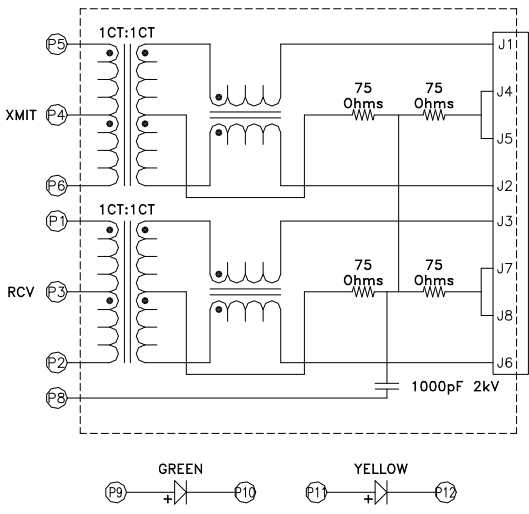


SOLDER SUFFIX	CUSTOMER TERMINAL	RoHS	LEAD(Pb)-FREE
LF3	Sn100%	Yes	Yes



ELECTRICAL SPECIFICATIONS @ 25°C unless otherwise noted:

PARAMETER	TEST CONDITIONS	VALUE
INDUCTANCE	J1-J2	100kHz, 100mVAC, 8mADC, Lp
INDUCTANCE	J3-J6	100kHz, 100mVAC, 8mADC, Lp
DIELECTRIC	P5-J1	tie(P5+P1)
TURN RATIO	(P5-P6):(J1-J2)	1:1, ±2%
TURN RATIO	(P1-P2):(J3-J6)	1:1, ±2%
INSERTION LOSS	1M - 100MHz	-1.0dB max.
RETURN LOSS	1M - 30MHz	-18dB min.
RETURN LOSS	30M - 45MHz	-16dB min.
RETURN LOSS	45M - 60MHz	-14dB min.
RETURN LOSS	60M - 80MHz	-12dB min.
CROSSTALK	1M - 100MHz	-35dB min.
COMMON MODE REJECTION	1M - 100MHz	-35dB min.



GENERAL SPECIFICATIONS:
OPERATING TEMPERATURE RANGE: 0°C to +70°C.

REV.	DATE
6A	2/08

AGENCY NUMBER
UL60950-1 E205930

Packaging Specifications
Method: Tube
PKG-0524
www.midcom-inc.com

Unless otherwise specified:
Tolerances: Fractions: ±1/64
Angles: ±1° Decimals: ±.010 [.25]
This drawing is dual dimensioned. Dimensions in brackets are in millimeters.

DRAWING TITLE
TRANSFORMER
10/100Mbps
eiSos p/n: 7499011215

Midcom WE
www.midcom-inc.com

DRAWING NO.
MIC24013-0102T-LF3
REVISIONS: SEE SHEET 1
SCALE ---
SHEET 2 OF 6