



# Discrete Single Port Gigabit EDSO-G24

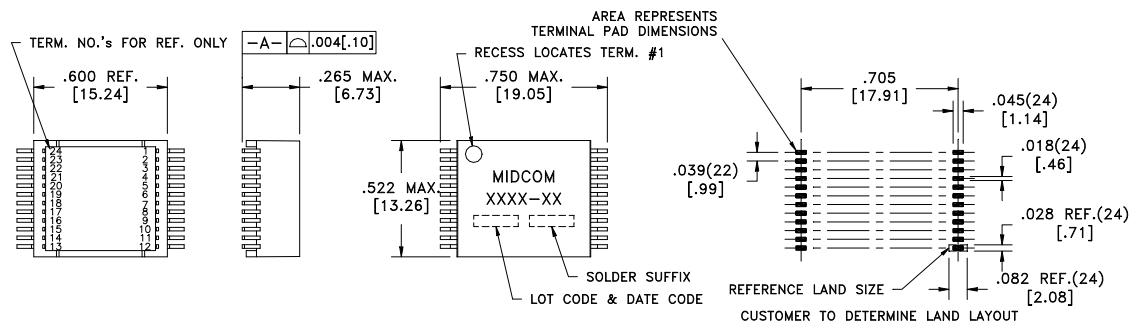
**Midcom**

LANDatacom

## Typical Common Electrical Characteristics<sup>1</sup>

Inductance	350uH Min.	0.1Vrms, 100kHz, 8mADC
Dielectric Rating	1500VAC	for 1 minute
Insertion Loss	-1.1dB max.	1MHz-100MHz
Return Loss	-16dB min.	1MHz-30MHz
	-14dB min.	40MHz
	-13dB min.	50MHz
	-12dB min.	60MHz-80MHz
Cross Talk	-43dB min.	30MHz
	-37dB min.	60MHz
	-33dB min.	100MHz
DCMR	-43dB min.	30MHz
	-37dB min.	60MHz
	-33dB min.	100MHz

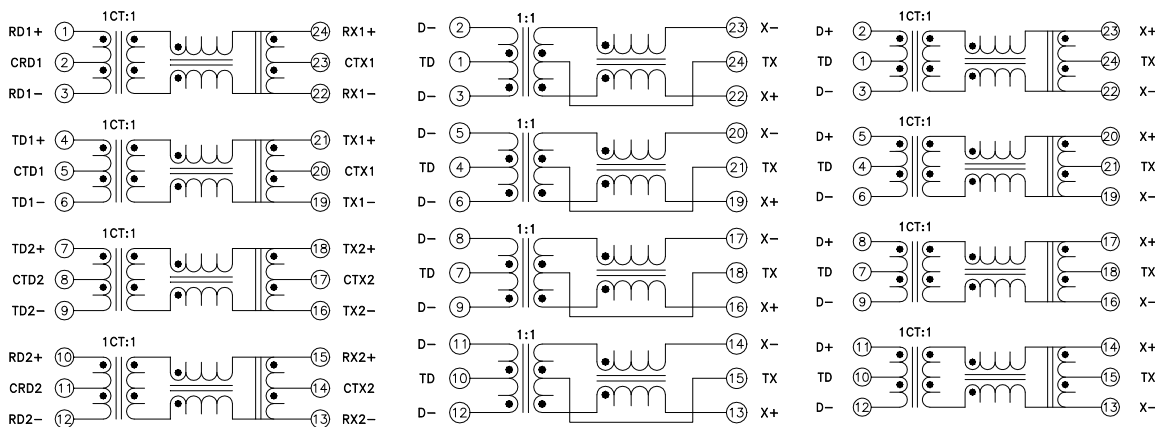
Note1: See specification sheet for actual electrical characteristics



## Features

- Meets IEEE 802.3 standard
- Surface mount
- Transfer mold package
- Optional pin-outs
- Industry standard footprint
- Optimum performance
- Cost Effective
- Both RoHS compliant and lead-terminal parts available

Part Number	Turns Ratio	AutoMDIX Compatible	Operating Temp. Range	Schematic
000-7347-30	1CT:1CT	Yes	0°C to +70°C	1
000-7330-30	1CT:1CT	Yes	-40°C to +85°C	2
000-7331-30	1CT:1CT	Yes	-40°C to +85°C	3



Schematic 1

Schematic 2

Schematic 3