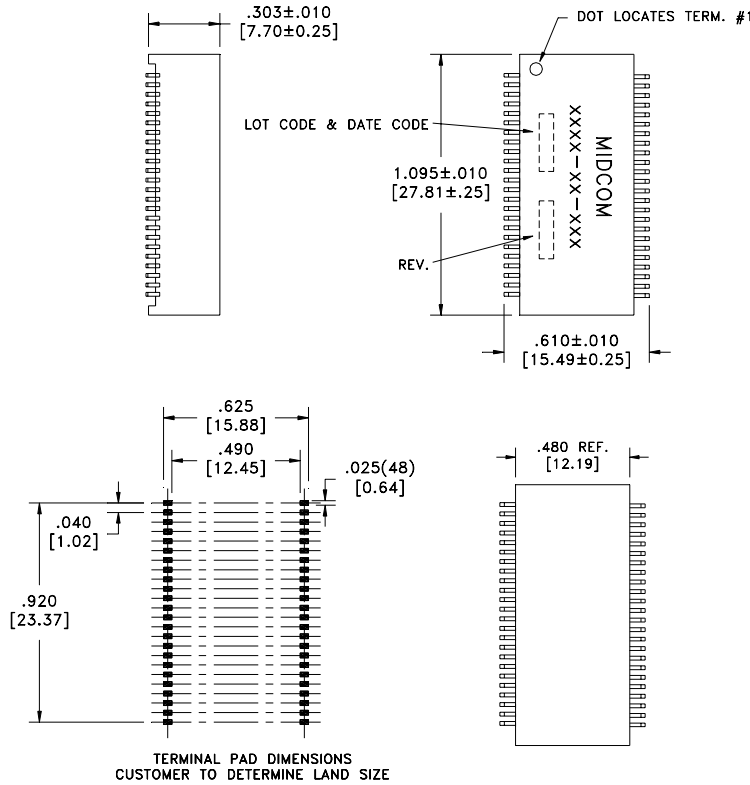


# Discrete Quad Port PoE 10/100 Base-T PDFP-G48

## Features

- Meets IEEE 802.3 standard
- Designed to handle 350mA for PoE applications
- Surface mount
- Optional pin-outs
- Industry standard connector footprint
- Optimum performance
- Cost Effective
- Both RoHS compliant and lead-terminal parts available



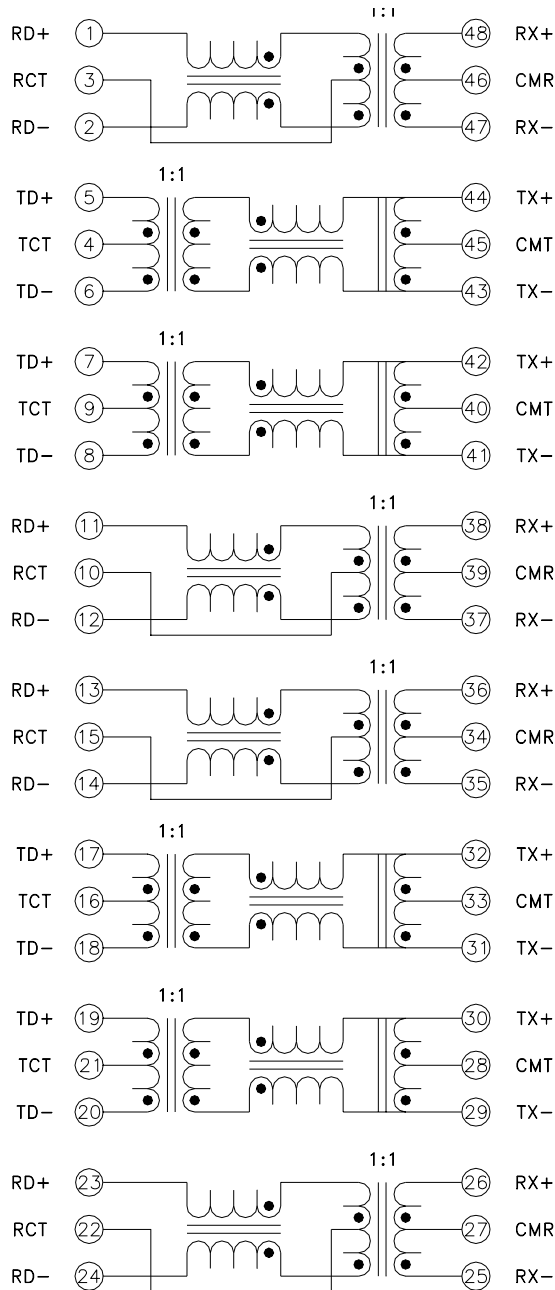
Part Number	Turns Ratio	AutoMDIX Compatible	Operating Temp. Range	Schematic
000-7415-30R	1CT:1CT	No	0°C to +70°C	1

### Typical Common Electrical Characteristics

Inductance	350uH Min.	0.1Vrms, 100kHz, 8mADC
Dielectric Rating	1500VAC	for 1 minute
Insertion Loss	-1.0dB max.	1MHz-100MHz
Return Loss	-16.0dB min.	1MHz-30MHz
	-14.4dB min.	40MHz
	-13.1dB min.	50MHz
	-10.0dB min.	60MHz-80MHz
Cross Talk	-35dB min.	100MHz
DCMR	-33dB min.	100MHz

Details subject to change. Contact your Midcom sales representative for additional information. Dimensions: in/mm. All tolerances are ±.010/0.25 and electrical specifications are @25°C unless otherwise specified.

## Discrete Quad Port PoE 10/100 Base-T PDFP-G48 Schematic



Details subject to change. Contact your Midcom sales representative for additional information. Dimensions: in/mm. All tolerances are  $\pm 0.10/0.25$  and electrical specifications are @25°C unless otherwise specified.