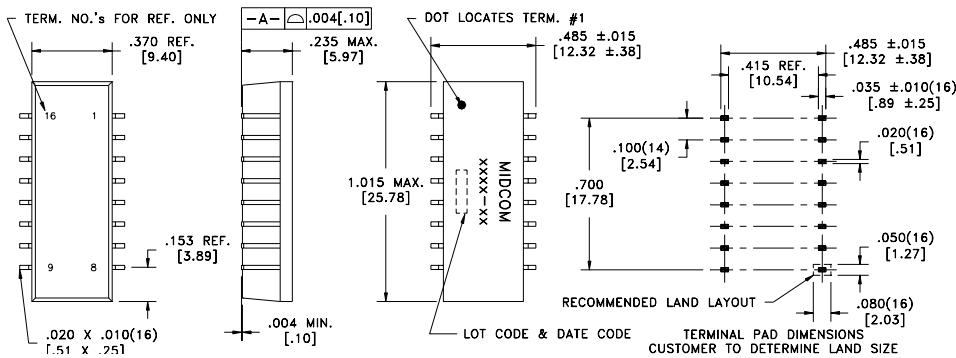
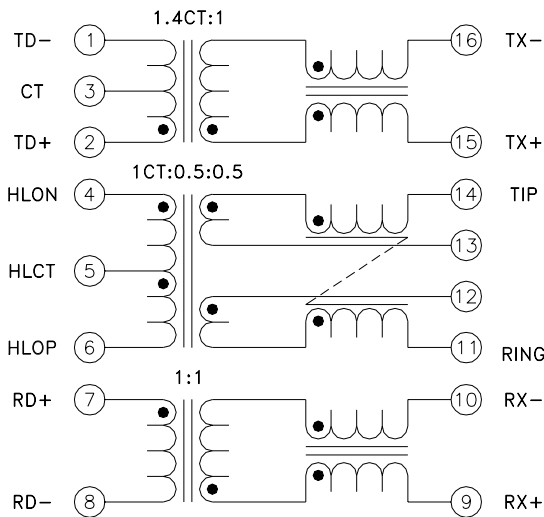


Discrete HPLN Module PDFP-G16

Features

- Transfer molded package
- Surface mount
- Optional pin-outs
- Industry standard connector footprint
- Optimum performance
- Cost Effective
- Both RoHS compliant and lead-terminal parts available
- 2000VAC isolation for 2 seconds



| Part Number | Insertion Loss (1M-12MHz) | Return Loss (1M-12MHz) | Leakage Inductance | Interwinding Capacitance | DC Resistance |
|-------------|---------------------------|------------------------|--------------------|--------------------------|---------------|
| 000-7141-37 | -1.0dB max. | -18dB min. | 140µH min. | 12pF max. | 0.6Ω max. |

Details subject to change. Contact your Midcom sales representative for additional information. Dimensions: in/mm. All tolerances are ±0.10/0.25 and electrical specifications are @25°C unless otherwise specified.