



Discrete Half Port Gigabit AEDFP-G16

LANDatacom

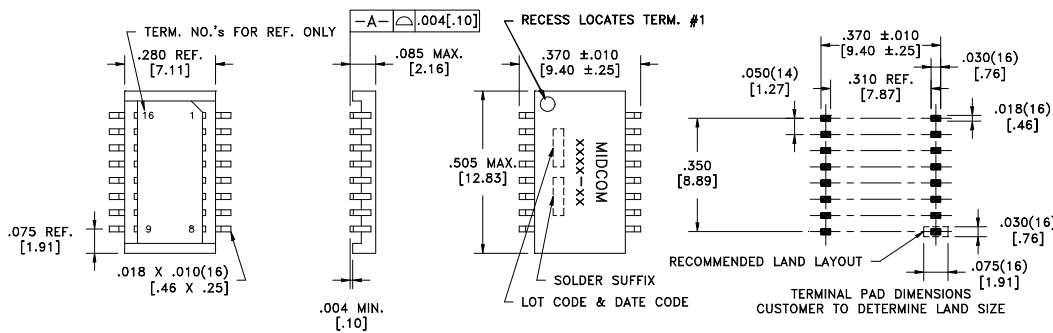
Features

- PCMCIA compatible profile
- Meets IEEE 802.3 standard
- Surface mount
- Optional pin-outs
- Industry standard connector foot-print
- Optimum performance
- Cost Effective
- Both RoHS compliant and lead-terminal parts available

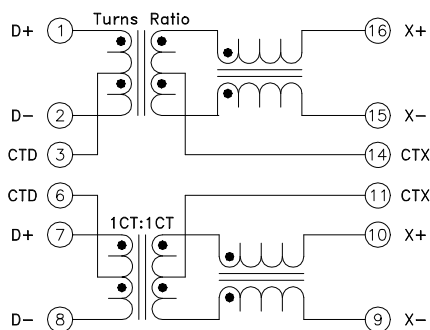
Typical Common Electrical Characteristics

Inductance	350uH Min.	0.1Vrms, 100kHz, 8mADC
Dielectric Rating	1500VAC	for 1 minute
Insertion Loss	-1.0dB max.	300kHz-125MHz
Return Loss	-18dB min.	1MHz-40MHz
	-15dB min.	40MHz-60MHz
	-12dB min.	60MHz-80MHz
	-10dB min.	80MHz-100MHz
Cross Talk	-35dB min.	1MHz-150MHz
Common Mode Rejection	-42dB min.	1MHz-32MHz
	-33dB min.	32MHz-150MHz

Note1: The 000-7382-35 is missing terminal 4, 5, 12 and 13



Part Number	Turns Ratio	AutoMDIX Compatible	Operating Temp. Range	Schematic
000-7382-35	1CT:1CT	Yes	0°C to +70°C	1



Schematic 1