



Discrete Dual Port 10/100 Base-T PoE 24 Pin

LANDatacom

Typical Common Electrical Characteristics¹

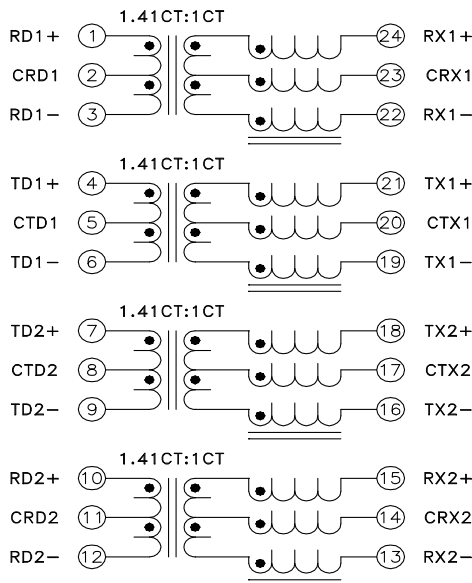
Inductance	350uH Min.	0.1Vrms, 100kHz, 8mADC
Dielectric Rating	1500VAC	for 1 minute
Insertion Loss	-1.0dB max.	1MHz-100MHz
Return Loss	-18dB min.	1MHz-40MHz
	-15dB min.	40MHz-60MHz
	-12dB min.	60MHz-80MHz
Cross Talk	-35dB min.	1MHz-100MHz
DCMR	-45dB min.	1MHz-60MHz
	-35dB min.	60MHz-100MHz

Note1: See specification sheet for actual electrical characteristics

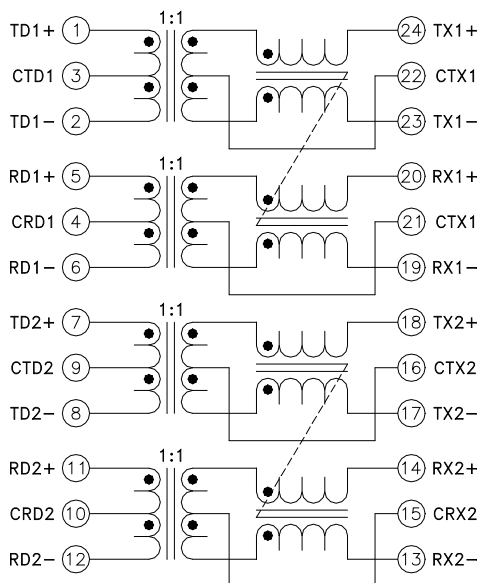
Features

- Meets IEEE 802.3af standard
- Designed to handle 350mA for PoE applications
- Surface mount
- Optional pin-outs
- Industry standard footprint
- Optimum performance
- Cost Effective
- Both RoHS compliant and lead-terminal parts available

Part Number	Turns Ratio	AutoMDIX Compatible	Operating Temp. Range	Schematic	Mechanical
000-7338-30	1.41CT:1CT	Yes	0°C to +70°C	1	1
749013028	1CT:1CT	Yes	0°C to +70°C	2	2



Schematic 1



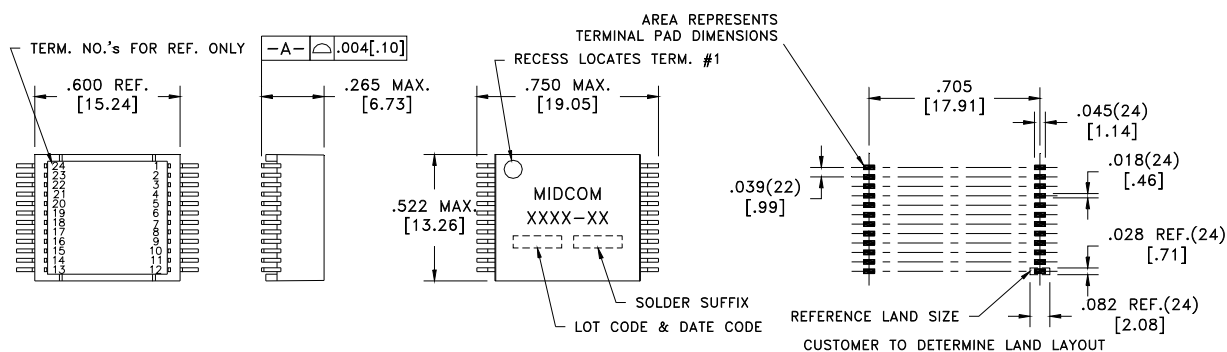
Schematic 2

Discrete Dual Port 10/100 Base-T PoE 24 Pin

Midcom

LANDatacom

Mechanical 1



Mechanical 2

