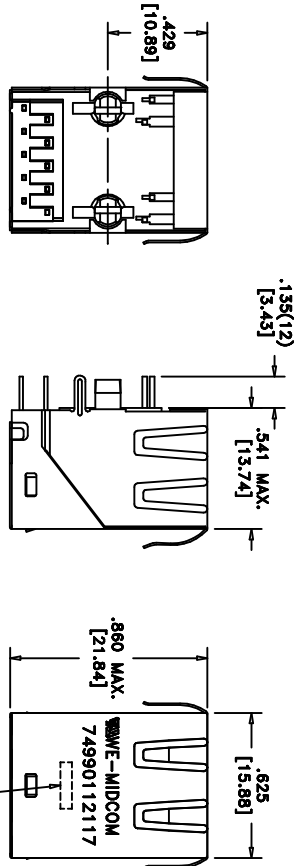
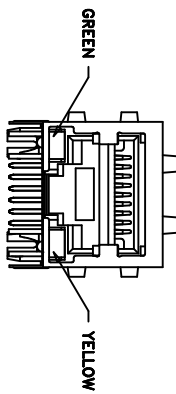


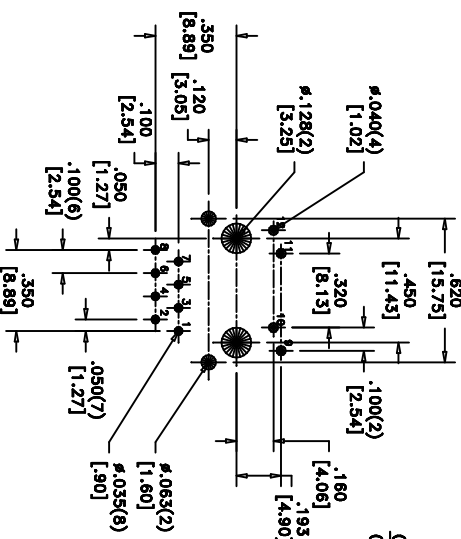
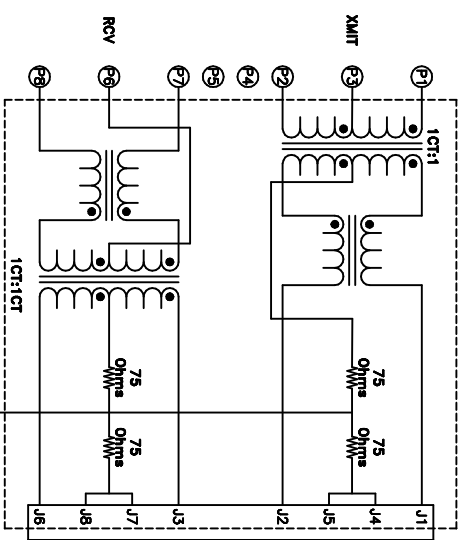
CUSTOMER TERMINAL	RoHS	LEAD(Pb)-FREE
Sn100%	Yes	Yes



LOT CODE & DATE CODE

**ELECTRICAL SPECIFICATIONS @ 25°C unless otherwise noted:**

PARAMETER	TEST CONDITIONS	VALUE
INDUCTANCE	J1-J2 100KHz, 100mVAC, 8mADC, 1p	350uH min.
INDUCTANCE	J3-J6 100KHz, 100mVAC, 8mADC, 1p	350uH min.
DIELECTRIC	PRI-SEC	1500Vrms, 1 minute
TURNS RATIO	(P1-P2):(I1-I2)	1:1, ±2%
TURNS RATIO	(P7-P8):(I3-I6)	1:1, ±2%
INSERTION LOSS	1M-100MHz	-1.0dB max.
RETURN LOSS	1M - 30MHz	-18dB min.
RETURN LOSS	30M - 45MHz	-16dB min.
RETURN LOSS	45M - 60MHz	-14dB min.
RETURN LOSS	60M - 80MHz	-12dB min.
CROSSTALK	1M - 100MHz	-35dB min.
COMMON MODE REJECTION	1M - 100MHz	-35dB min.



RECOMMENDED P.C. PATTERN, COMPONENT SIDE

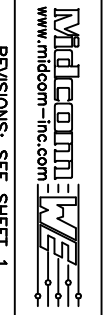
GENERAL SPECIFICATIONS:  
OPERATING TEMPERATURE RANGE: -40°C to +85°C.

REV.	DATE

Packaging Specifications  
Method: Tube  
PKG-0524  
www.midcom-inc.com

Unless otherwise specified:  
Tolerances: Fractions: ±1/64  
Decimals: ±.010[.25]  
Angles: ±1°  
Dimensions: In brackets are in millimeters.

DRAWING TITLE  
**TRANSFORMER**  
10/100Mbs



DRAWING NO.  
**74990112117**

AGENCY NUMBER	UL60950-1
	E205930