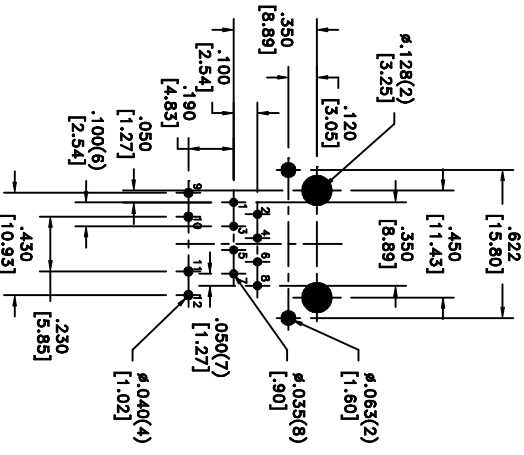
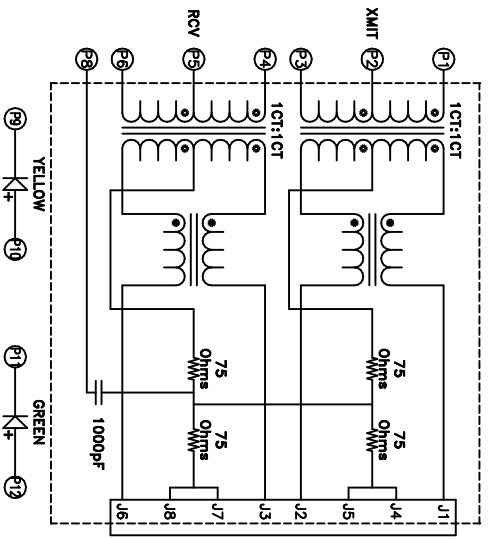


LOT CODE & DATE CODE

ELECTRICAL SPECIFICATIONS @ 25°C unless otherwise noted:

PARAMETER	TEST CONDITIONS	VALUE
INDUCTANCE	J1-J2 100kHz, 100mVAC, 8mADC, Lp	350nH min.
INDUCTANCE	J3-J6 100kHz, 100mVAC, 8mADC, Lp	350nH min.
DIELECTRIC	P1-J1 tie(P1+P4)	1500Vrms, 1 minute
TURNS RATIO	(P1-P3):(J1-J2)	1:1, ±2%
TURNS RATIO	(P4-P6):(J3-J6)	1:1, ±2%
INSERTION LOSS	1M-100MHz	-1.0dB max.
RETURN LOSS	1M - 30MHz	-18dB min.
RETURN LOSS	30M - 45MHz	-16dB min.
RETURN LOSS	45M - 60MHz	-14dB min.
RETURN LOSS	60M - 80MHz	-12dB min.
CROSSTALK	1M - 100MHz	-35dB min.
COMMON MODE REJECTION	1M - 100MHz	-35dB min.

GENERAL SPECIFICATIONS:
 OPERATING TEMPERATURE RANGE: -40°C to +85°C.



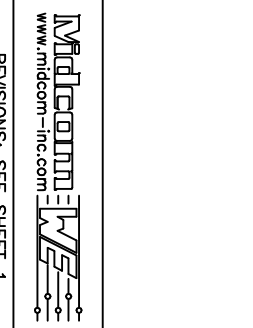
P.C. PATTERN, RECOMMENDED COMPONENT SIDE

REV.	DATE
6A	4/08

Packaging Specifications
 Method: Tube
 PKG-0533
 www.midcom-inc.com

Unless otherwise specified:
 Tolerances: Fractions: ±1/64
 Decimals: ±0.10[.25]
 Dimensions in brackets are in millimeters.

DRAWING TITLE
TRANSFORMER
 R145-T8



DRAWING NO.
74990112116

AGENCY NUMBER
UL60950-1 E205930