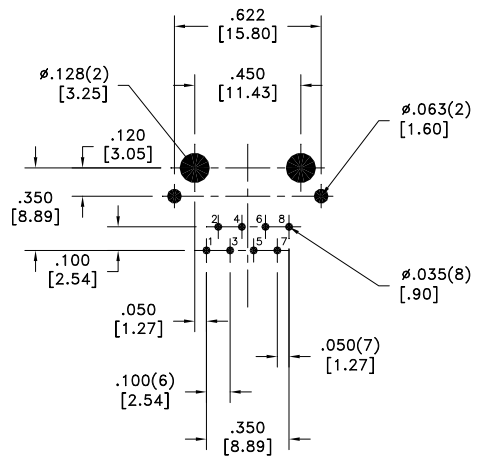
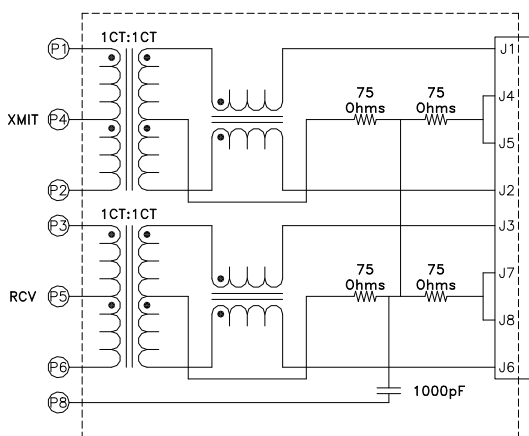
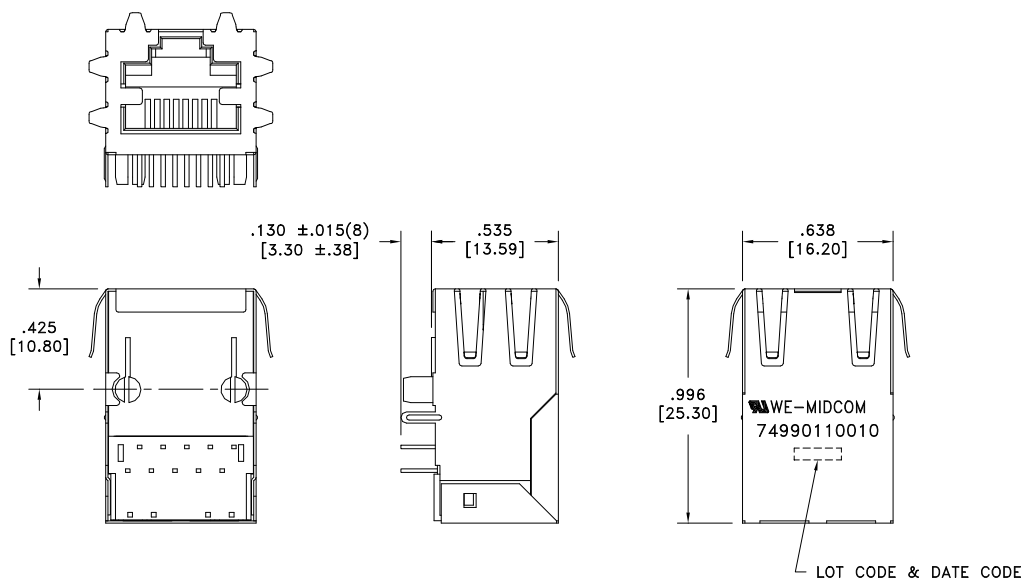


CUSTOMER TERMINAL	RoHS	LEAD(Pb)-FREE
Sn100%	Yes	Yes



ELECTRICAL SPECIFICATIONS @ 25°C unless otherwise noted:

PARAMETER	TEST CONDITIONS	VALUE
INDUCTANCE	J1-J2	100kHz, 100mVAC, 8mADC, Lp
INDUCTANCE	J3-J6	100kHz, 100mVAC, 8mADC, Lp
DIELECTRIC	P1-J1	tie(P1+P4)
TURN RATIO	(P1-P2):(J1-J2)	1:1, ±2%
TURN RATIO	(P3-P6):(J3-J6)	1:1, ±2%
INSERTION LOSS	1M - 100MHz	-1.0dB max.
RETURN LOSS	1M - 30MHz	-18dB min.
RETURN LOSS	30M - 45MHz	-16dB min.
RETURN LOSS	45M - 60MHz	-14dB min.
RETURN LOSS	60M - 80MHz	-12dB min.
CROSSTALK	1M - 100MHz	-35dB min.
COMMON MODE REJECTION	1M - 100MHz	-35dB min.



RECOMMENDED P.C. PATTERN, COMPONENT SIDE

GENERAL SPECIFICATIONS:

OPERATING TEMPERATURE RANGE: -40°C to +85°C.

REV.	DATE
6A	3/08

Packaging Specifications
 Method: Tube
 PKG-0549
 www.midcom-inc.com

Unless otherwise specified:
 Tolerances: Fractions: ±1/64
 Angles: ±1° Decimals: ±.010[.25]
 This drawing is dual dimensioned. Dimensions in brackets are in millimeters.

DRAWING TITLE
TRANSFORMER
 10/100Mbs
 eiSos p/n: 74990110010



DRAWING NO.
74990110010
 REVISIONS: SEE SHEET 1
 SCALE ---
 SHEET 2 OF 6

AGENCY NUMBER
UL60950-1 E205930