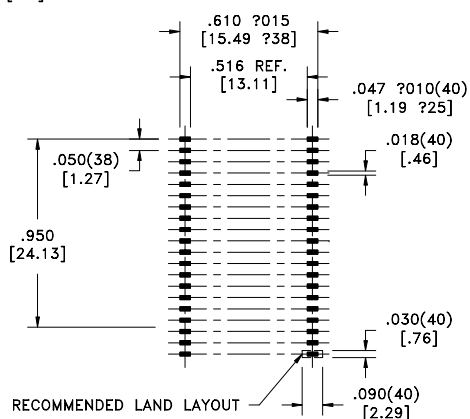
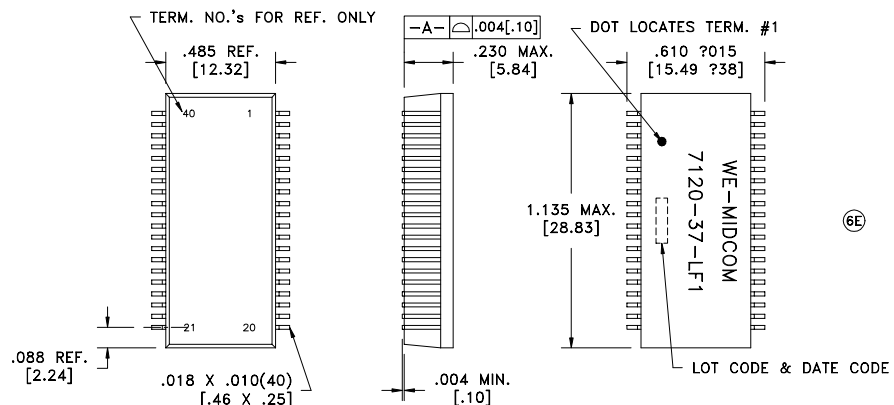


SOLDER SUFFIX	CUSTOMER TERMINAL	RoHS	LEAD(Pb)-FREE	6C
LF1	Sn96%, Ag4%	Yes	No	



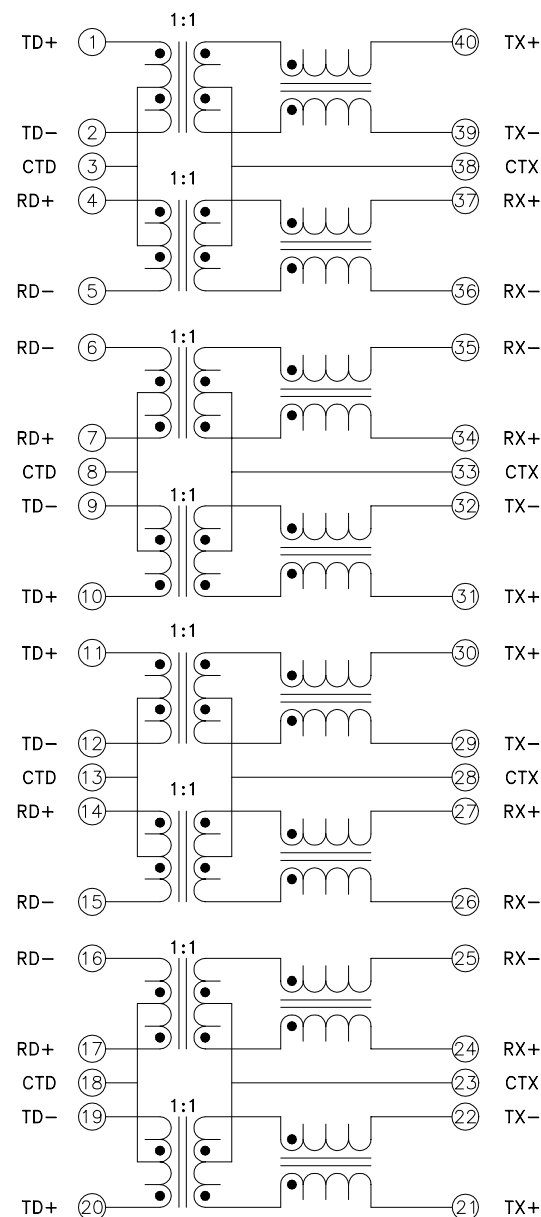
RECOMMENDED LAND LAYOUT  
TERMINAL PAD DIMENSIONS  
CUSTOMER TO DETERMINE LAND SIZE

**ELECTRICAL SPECIFICATIONS @ 25°C unless otherwise noted:**

- INDUCTANCE: 350uH min., 100kHz, 100mV, 40-39; 31-32; 30-29; 21-22; 37-36; 34-35; 27-26; 24-25, 8mADC, Lp.
- DIELECTRIC RATING: 1500Vrms, 1 minute tested by applying 1800Vrms for 1 second between Input-Output.
- URNS RATIO & POLARITY: 1CT:1CT, ±2%.
- INSERTION LOSS: -1.0dB max., 1M - 100MHz.
- RETURN LOSS: -18dB min., 1M - 30MHz. -14dB min., 40M - 60MHz.  
-16dB min., 30M - 40MHz. -12dB min., 60M - 80MHz.
- CROSSTALK: -32dB min., 1M - 100MHz.
- DCMR: -40dB min., 1M - 100MHz.
- CMRR: -30dB min., 1M - 100MHz.

OPERATING TEMPERATURE RANGE: 0°C to +70°C.

COPLANARITY: All 40 terminals must lie on a plane within .004 [.10] of Surface A after lead tinning.



REV.	DATE
6F	12/07
6E	10/07
6D	2/07
6C	11/05
6B	8/04

Packaging Specifications

Method: Tape & Reel  
PKG-0351  
www.midcom-inc.com

Unless otherwise specified:  
Tolerances: Fractions: ±1/64  
Angles: ±1° Decimals: ±.005[.127]

This drawing is dual dimensioned. Dimensions in brackets are in millimeters.

DRAWING TITLE

**TRANSFORMER**  
PDFP-G40

eiSos p/n:



DRAWING NO.

**000-7120-37R-LF1**

REVISIONS: SEE SHEET 1

SCALE ---

SHEET 2 OF 7 6F