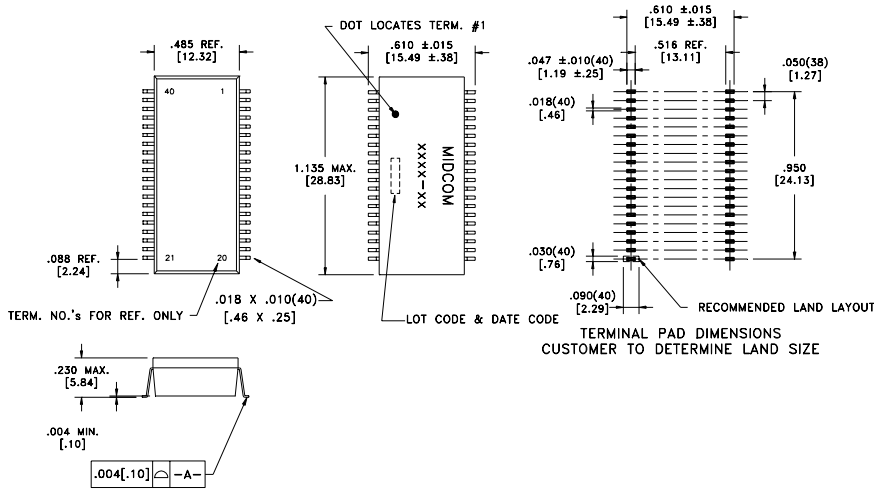


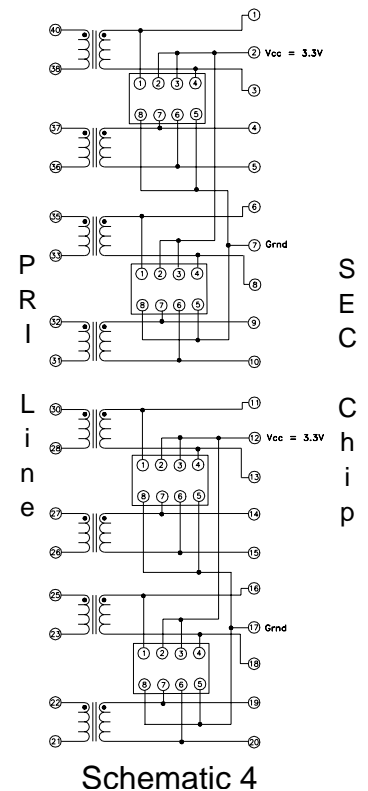
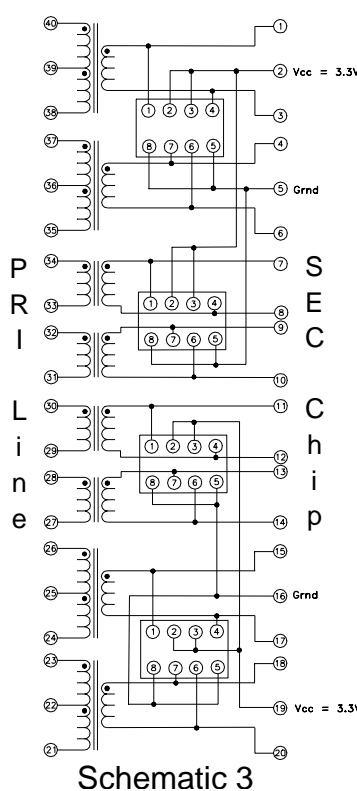
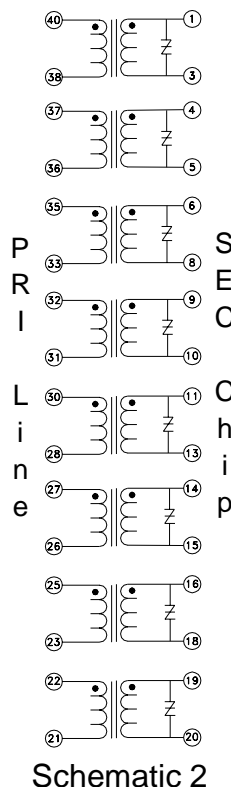
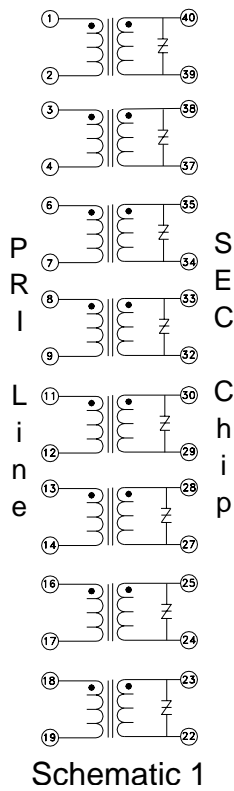
# T1/E1 ISDN-PRI Quad Port SMD With Secondary Protection



## Features

- Quad port modules with integrated secondary protection
- RoHS compliant versions available
- Optional pin-outs
- Meets ITU G.703 ISDN-Primary rate recommendations
- Operating temperature range of -40°C to +85°C

Part Number	Turns Ratio (PRI1:SEC1)	Turns Ratio (PRI2:SEC2)	LPRI @20°C (mH Min)	Leakage L (µH Max)	Schematic
51405R	2:1	2:1	1.2	0.5	1
51406R	1.58:1	1.58:1	1.2	0.5	1
51580R	2.42:1	2.42:1	1.2	0.6	2
51734R	2CT:1	2:1	1.5	0.6	3
51886R	2:1	2:1	1.2	0.5	4



Details subject to change. Contact your Midcom sales representative for additional information. Dimensions: in/mm. All tolerances are ±.010/0.25 and electrical specifications are @25°C unless otherwise specified.