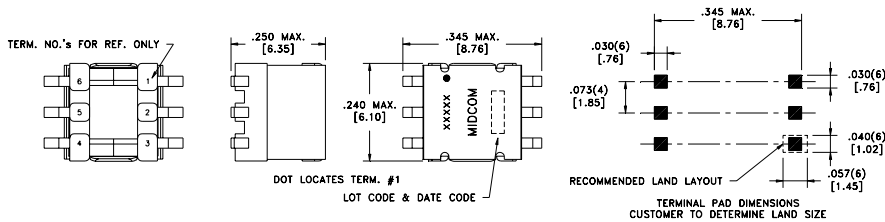


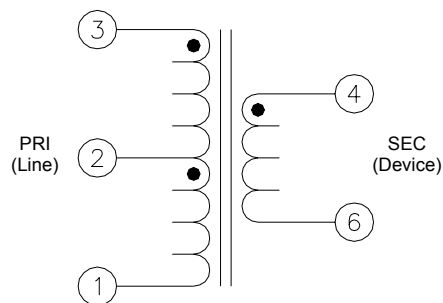
# T1/E1 ISDN-PRI SMD Transformers



## Features

- RoHS compliant versions available
- Small Size
- Separate transmit and receive devices for layout flexibility
- Low crosstalk: good for layout density
- Optional pin-outs
- Meets ITU G.703 ISDN-Primary rate recommendations
- Operating temperature range of -40°C to +85°C
- Matched to IC manufacturers' transceivers
- 100 ohm line
- 1500VAC dielectric strength

Part Number	Turns Ratio (PRI1:SEC1)	LPRI @20°C (mH Min)	Leakage L (μH Max)	DCR PRI (ohms Max)	DCR SEC (ohms Max)	Schematic
50480R	1CT:1	2.0	1.2	2.7	2.6	1
50479R	1.14CT:1	2.2	1.3	2.8	2.5	1
50478R	1.26CT:1	2.0	1.0	2.6	2.1	1
50398R	1.35CT:1	2.0	1.0	2.7	1.9	1
50477R	1.41CT:1	2.0	1.3	2.4	1.7	1
50511R	1.66CT:1	2.0	1.2	2.1	1.3	1
50476R	2CT:1	2.1	1.2	2.3	1.2	1
50475R	2.32CT:1	2.3	1.3	2.1	1.0	1
50572R	2.42CT:1	2.3	1.3	2.1	0.9	1



Details subject to change. Contact your Midcom sales representative for additional information. Dimensions: in/mm. All tolerances are ±.010/0.25 and electrical specifications are @25°C unless otherwise specified.