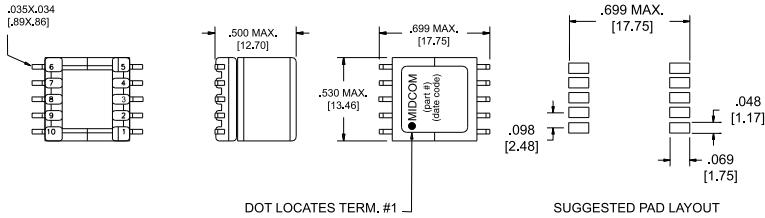


Linear Technology ADSL recommendations

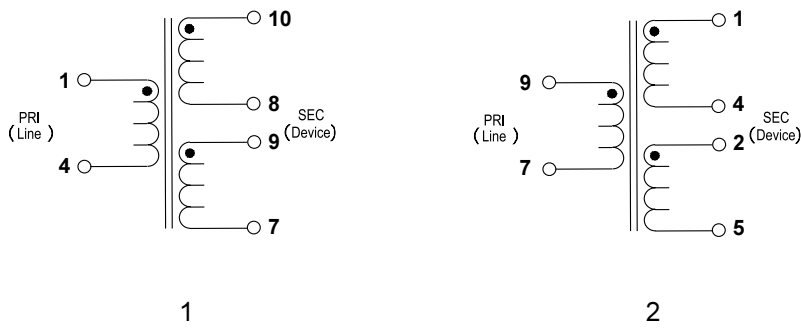
EP13 -SMD



Features

- Designed to meet UL1459 requirements
- Compatible with Linear Technology's drivers
- Good total harmonic distortion characteristics
- Optimized design for size and performance
- Customization available
- Volume production and automated lines
- For IC manufacturer approval status, contact Midcom
- 100 ohm line impedance

Part Number	IC Number	Application	Safety Agency	Mechanicals	Schematic
50712R	LT1497	Uses Centillium IC	UL1459	EP13 SMD	1
50215R	LT1795/LT1886	xDSL	UL1459	EP13 SMD	2



03/03/03 Details subject to change. Contact your Midcom sales representative for additional information. Dimensions: in/mm. All tolerances are ± .010/0,25 and electrical specifications are @ 25°C unless otherwise specified.