

PART MUST INSERT FULLY TO SURFACE A IN RECOMMENDED GRID

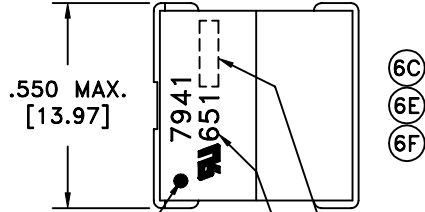
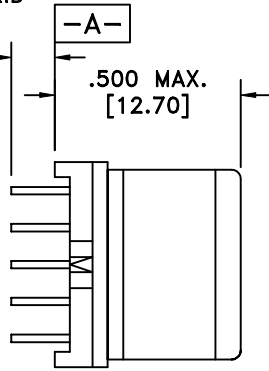
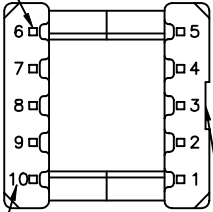
* DIMENSION MAY BE EXCEEDED WITH SOLDER ONLY

.021 SQ.(10)
[.53]

.100/.130 *
[2.54/3.30]

.500 MAX.
[12.70]

.550 MAX.
[13.97]



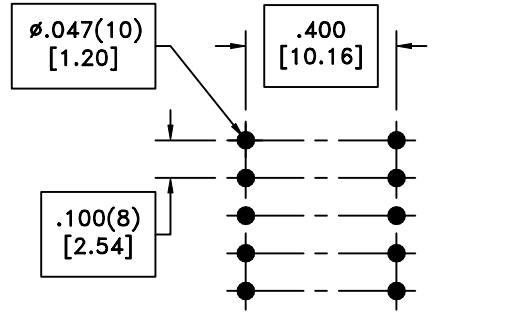
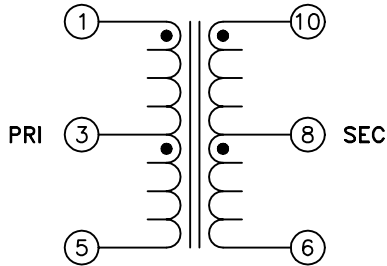
DOT LOCATES TERM. #1

NOTCH LOCATES TERM. 1-5 SIDE

EIA CODE

LOT CODE & DATE CODE

TERM. NO.'s FOR REF. ONLY



RECOMMENDED P.C. PATTERN, COMPONENT SIDE

(6E)

ELECTRICAL SPECIFICATIONS @ 25°C unless otherwise noted:

- (6B)(6E) LONGITUDINAL BALANCE: 40dB min., 1k - 15kHz; 35dB min., 15k - 100kHz, per FCC part 68.310.
- (6E) D.C. RESISTANCE (@20°C):
 1-5, 2.64 ohms ±10%.
 10-6, 5.37 ohms ±10%.
- DIELECTRIC RATING: 1500VAC, 1 minute tested by applying 1875VAC for 1 second between 1-10.
- INDUCTANCE: 40mH min., 1000Hz, 1.0VAC, 1-5, Ls.
- LEAKAGE INDUCTANCE: 40uH max., 10kHz, 100mAAC, 1-5(tie 10+6), Ls.
- TURNS RATIO: (1-5):(10-6) = 1:1, ±1%.

Approved for use with Level One DDS IC: LXT441.

- (6F) Designed to comply with the following requirements as defined by IEC950, EN60950, UL1950/CSA950 and AS/NZS3260:
 - Supplementary insulation for a primary circuit at a working voltage of 250Vrms.
 - Reinforced insulation for a secondary circuit at a working voltage of 150VDC.

(6C)(6F)

AGENCY NUMBER	
UL 1950	E205930
CSA 950 (Via UL/CUL)	E205930

DETAILS SUBJECT TO CHANGE

Midcom, Inc.
 Watertown, SD USA
 Toll Free: 800-643-2661
 Fax: 605-886-4486

Unless otherwise specified:
 Tolerances: Fractions: ±1/64
 Angles: ±1° Decimals: ±.005[.13]

DRAWING TITLE
TRANSFORMER

Midcom

DRAWING NO. **671-7941** REV. 6G
 6/02

REVISIONS: SEE SHEET 1

SCALE --- SHEET 2 OF 6

This drawing is dual dimensioned.
 Dimensions in brackets are in millimeters.

DWG # 671-7941 (6F)