

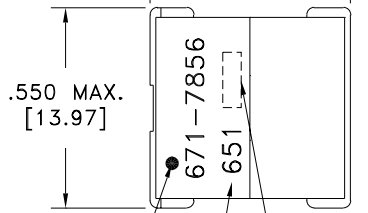
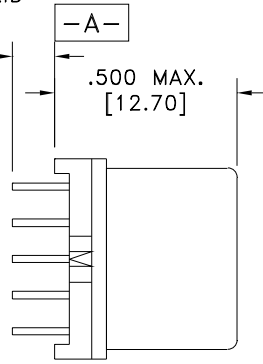
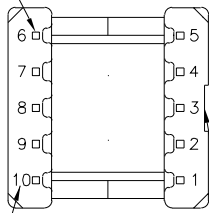
PART MUST INSERT FULLY TO SURFACE A IN RECOMMENDED GRID

.021 SQ.(10)  
[.53]

.100 MIN.  
[2.54]

.500 MAX.  
[12.70]

.550 MAX.  
[13.97]



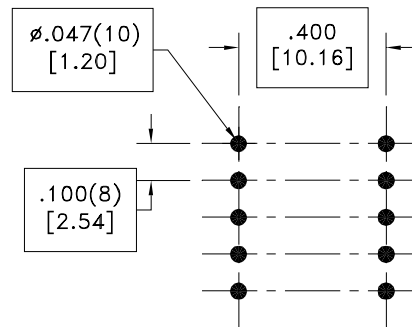
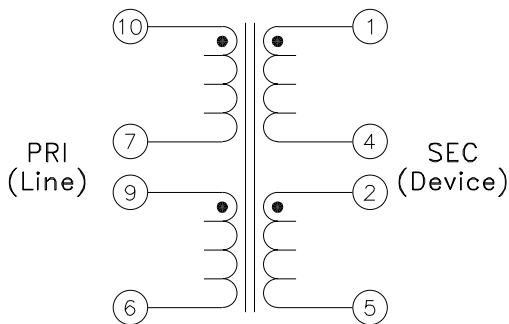
DOT LOCATES TERM. #1

NOTCH LOCATES TERM. 1-5 SIDE

EIA CODE

LOT CODE & DATE CODE

TERM. NO.'s FOR REF. ONLY



RECOMMENDED P.C. PATTERN, COMPONENT SIDE

ELECTRICAL SPECIFICATIONS @ 25°C unless otherwise noted:

- LONGITUDINAL BALANCE: 55dB min., 281Hz-40kHz, per ITU Method (L->M).
- D.C. RESISTANCE (@20°C):
  - 1-4, 5.05 ohms ±10%.
  - 2-5, 5.05 ohms ±10%.
  - 10-7, 7.05 ohms ±10%.
  - 9-6, 7.05 ohms ±10%.
- DIELECTRIC RATING: 1200VAC, 1 minute tested by applying 1500VAC for 1 second between PRI - SEC.
- INDUCTANCE: 28mH ±10%, 10kHz, 100mVAC, 0/40mADC, 10-6(tie 9+7), Ls.
- LEAKAGE INDUCTANCE: 70uH max., 10kHz, 100mVAC, 1-5(tie 4+2, 9+7, 10+6), Ls.
- RETURN LOSS: 20dB min., 10k to 40kHz, 73.2 ohm load, tie(9+7, 2+4).
- TURNS RATIO: (10-6):(1-5) = 1.25:1, tie(9+7, 2+4), ±1%.
- TOTAL HARMONIC DISTORTION: -55dB max., 500Hz, 4Vp-p, 135 ohm load, 73.2 ohm input, tie(9+7, 2+4).

<b>Midcom, Inc.</b> Watertown, SD USA Toll Free: 800-643-2661 Fax: 605-886-4486	Unless otherwise specified: Tolerances: Fractions: ±1/64 Angles: ±1° Decimals: ±.005(.127mm)		
	DRAWING TITLE <h3 style="text-align: center;">TRANSFORMER</h3>	DRAWING NO. <h2 style="text-align: center;">671-7856</h2>	REV. 6E
This drawing is dual dimensioned. Dimensions in brackets are in millimeters.	REVISIONS: SEE SHEET 1	SCALE ---	SHEET 2 OF 5

DWG.# 671-7856