

PART MUST INSERT FULLY TO SURFACE A IN RECOMMENDED GRID

* DIMENSION MAY BE EXCEEDED WITH SOLDER ONLY

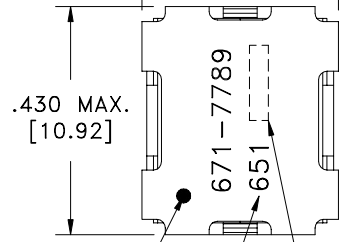
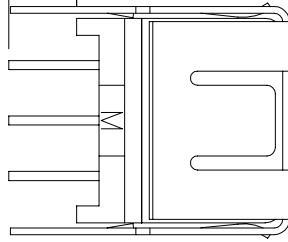
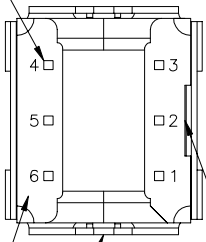
.016 SQ.(6)
[.41]

.110/.130 *
[2.79/3.30]

-A-

.394 MAX.
[10.00]

.375 MAX.
[9.53]



DOT LOCATES TERM. #1

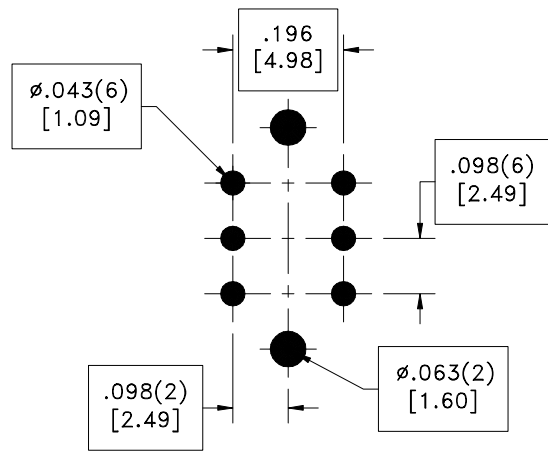
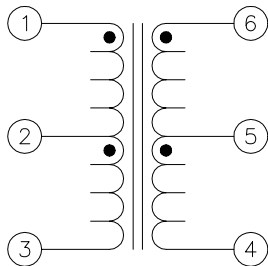
NOTCH LOCATES TERM. #1-3 SIDE

EIA CODE

LOT CODE & DATE CODE

.012 x .036 REF.(2)
[.30 x .91]

TERM. NO.'s FOR REF. ONLY



RECOMMENDED
P.C. PATTERN, COMPONENT SIDE

6D ELECTRICAL SPECIFICATIONS @ 25°C unless otherwise noted:

6C LONGITUDINAL BALANCE: 40dB min., 1000Hz - 15kHz; 35dB min., 15k - 100kHz, per FCC part 68.310, with terminal 6 grounded.

D.C. RESISTANCE (@20°C): 1-3, 5.12 ohms ±10%.
6-4, 6.00 ohms ±10%.

DIELECTRIC RATING: 1000VAC, 1 minute tested by applying 1250VAC for 1 second between 1-6.

INDUCTANCE: 40mH min., 1000Hz, 1.0VAC, 1-3, Ls.

LEAKAGE INDUCTANCE: 40uH max., 10kHz, 100mAAC, 1-3(tie 6+4), Ls.

TURNS RATIO: (1-3):(6-4) = 1:1, ±1%.

APPROVED FOR USE WITH LEVEL ONE DDS IC: LXT441.

6C

AGENCY NUMBER	
UL	E99406
CSA (Via UL/CUL)	E99406

DETAILS SUBJECT TO CHANGE

Midcom, Inc.
Watertown, SD USA
Toll Free: 800-643-2661
Fax: 605-886-4486

Unless otherwise specified:
Tolerances: Fractions: ±1/64
Angles: ±1° Decimals: ±.005[.13]

DRAWING TITLE

TRANSFORMER

Midcom

DRAWING NO.

671-7789

REV.

6D
6/02

REVISIONS: SEE SHEET 1

SCALE ---

SHEET 2 OF 5

This drawing is dual dimensioned.
Dimensions in brackets are in millimeters.

DWG # 671-7789