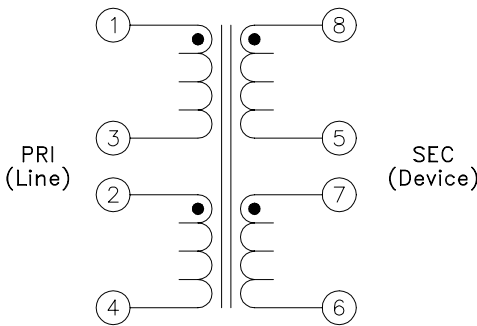
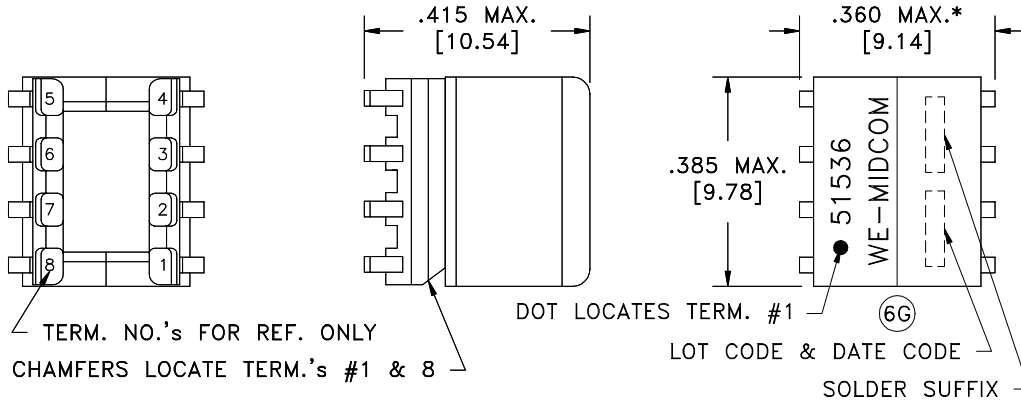
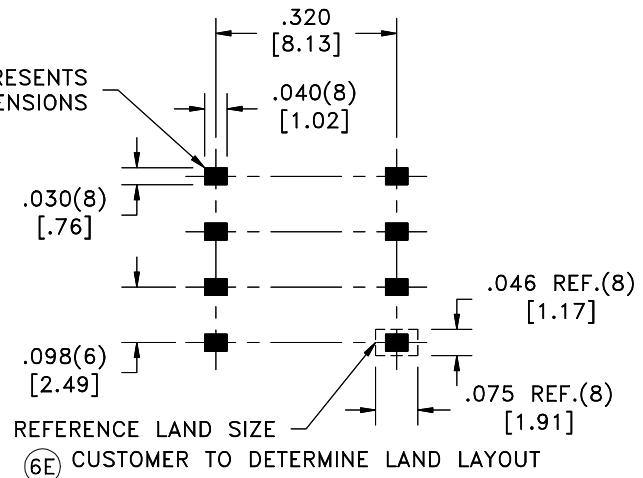


SOLDER SUFFIX	CUSTOMER TERMINAL	RoHS	LEAD(Pb)-FREE	6G(6H)
	Sn63%, Pb37%	No	No	
LF1	Sn96%, Ag4%	Yes	Yes	

\* DIMENSION MAY BE EXCEEDED WITH SOLDER ONLY



AREA REPRESENTS  
TERMINAL PAD DIMENSIONS



**ELECTRICAL SPECIFICATIONS @ 25°C unless otherwise noted:**

- LONGITUDINAL BALANCE: 46dB min., 20k - 1.1MHz, per ITU Method (L->M).
- D.C. RESISTANCE (@20°C):
  - 1-3, 0.64 ohms ±10%.
  - 2-4, 0.64 ohms ±10%.
  - 8-5, 0.58 ohms ±10%.
  - 7-6, 0.58 ohms ±10%.
- DIELECTRIC RATING: 1500VAC, 1 minute tested by applying 1875VAC for 1 second between 1-8(tie 2+3, 5+7).
- INDUCTANCE: 1.20mH ±10%, 10kHz, 100mVAC, 1-4(tie 2+3), Ls.
- LEAKAGE INDUCTANCE: 4uH max., 100kHz, 100mVAC, 6-8(tie 2+3, 5+7, 1+4), Ls.
- TURNS RATIO: (1-4):(8-6) = 3:1, tie(2+3, 5+7), ±1.5%.
- INTERWINDING CAPACITANCE: 30pF max., 10kHz, 1.0VAC, 1-8(tie 2+3, 5+7), Cs.
- TOTAL HARMONIC DISTORTION: -80dB max., 40kHz, 2.0Vrms across PRI, 11 ohm load, 100 ohm input, tie(2+3, 5+7).

(6H) Designed to comply with the following requirements as defined by IEC60950-1, EN60950-1, UL60950-1/CSA60950-1 and AS/NZS60950.1:  
- Supplementary insulation for a primary circuit at a working voltage of 250Vrms.

DETAILS SUBJECT TO CHANGE

(6B)(6H)	
AGENCY NUMBER	
(6C) BAPT	NC/012393
UL60950-1	E205930
CSA60950-1 (Via CUL)	E205930
(6C) IEC60950-1	US/9168B/UL
(6C) JAPAN	US/9168B/UL
(6C) ACA/AUSTEL	US/9168B/UL
*DEMONSTRATES TO COMPLY VIA CB CERT	

**Midcom, Inc.**  
Watertown, SD USA  
Toll Free: 800-643-2661  
Fax: 605-886-4486

Unless otherwise specified:  
Tolerances: Fractions: ±1/64  
Angles: ±1° Decimals: ±.005[.13]

DRAWING TITLE  
**TRANSFORMER**

REVISIONS: SEE SHEET 1

**Midcom**

DRAWING NO. (6C) REV. 6H  
**51536R/-LF1**  
2/07

SCALE --- SHEET 2 OF 6

This drawing is dual dimensioned.  
Dimensions in brackets are in millimeters.

DWG # 51536R/-LF1