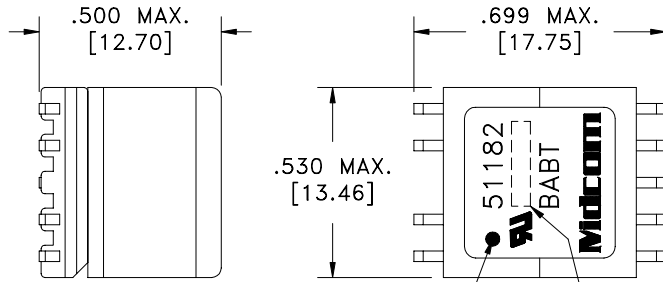
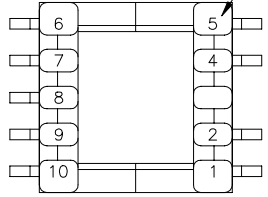
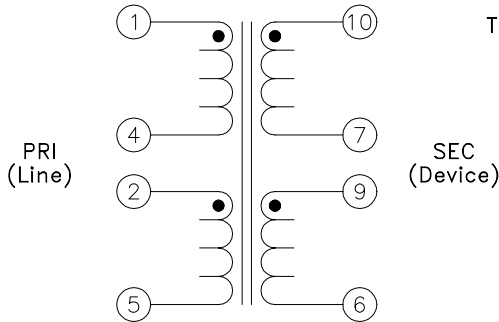


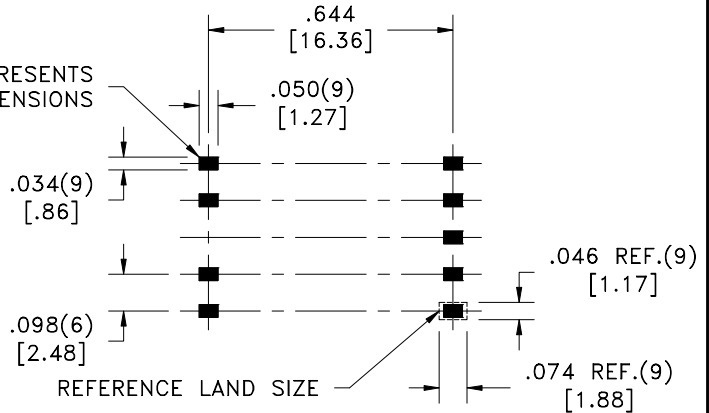
TERM. NO.'s FOR REF. ONLY



DOT LOCATES TERM. #1 (6B)  
LOT CODE & DATE CODE



AREA REPRESENTS TERMINAL PAD DIMENSIONS



(6C) CUSTOMER TO DETERMINE LAND LAYOUT

**ELECTRICAL SPECIFICATIONS @ 25°C unless otherwise noted:**

- IMPEDANCE: Designed to reflect 100 ohms on the PRI with 100 ohm load on SEC.
- LONGITUDINAL BALANCE: 45dB min., 20k - 1MHz, per ITU Method (L->M).
- D.C. RESISTANCE (@20°C): 1-4, 0.830 ohms ±10%.  
2-5, 0.830 ohms ±10%.  
10-7, 0.800 ohms ±10%.  
9-6, 0.800 ohms ±10%.
- FREQUENCY RESPONSE: ±1.5dB, 30k - 1.5MHz, 772kHz ref.
- INSERTION LOSS: 0.5dB max., 772kHz, 100 ohm load.
- DIELECTRIC RATING: 1500VAC, 1 minute tested by applying 1875VAC for 1 second between 1-10(tie 2+4, 7+9).
- INDUCTANCE: 440uH ±5%, 10kHz, 100mVAC, 1-5(tie 2+4), Ls.
- LEAKAGE INDUCTANCE: 10uH max., 100kHz, 100mVAC, 1-5(tie 2+4, 7+9, 6+10), Ls.
- TURNS RATIO: (1-5):(10-6) = 1:1, tie(2+4, 7+9), ±1%.
- INTERWINDING CAPACITANCE: 50pF max., 10kHz, 1.0VAC, 1-10(tie 2+4, 7+9), Cs.
- TOTAL HARMONIC DISTORTION: -85dB max., 100kHz, 5.3Vrms across PRI, 100 ohm load, 100 ohm input, tie(2+4, 7+9).
- OPERATING TEMPERATURE RANGE: -40°C to +85°C.

Designed to comply with the following requirements as defined by IEC60950, EN60950, UL60950/CSA60950 and AS/NZS60950:  
- Supplementary insulation for a primary circuit at a working voltage of 250Vrms.

DETAILS SUBJECT TO CHANGE

(6B)

AGENCY NUMBER	
BABT	NC/011501
UL 60950	E205930
CSA 60950 (Via CUL)	E205930
IEC 60950	*NO 29933
ACA/AUSTEL	*NO 29933
JAPAN	*NO 29933
*DEMONSTRATES TO COMPLY VIA NEMKO TEST REPORT.	

**Midcom, Inc.**  
Watertown, SD USA  
Toll Free: 800-643-2661  
Fax: 605-886-4486

This drawing is dual dimensioned.  
Dimensions in brackets are in millimeters.

Unless otherwise specified:  
Tolerances: Fractions: ±1/64  
Angles: ±1° Decimals: ±.005[.13]

DRAWING TITLE  
**TRANSFORMER**

REVISIONS: SEE SHEET 1

**Midcom**

DRAWING NO.  
**51182R**

REV.  
6C  
9/03

SCALE --- SHEET 2 OF 6

DWG # 51182R