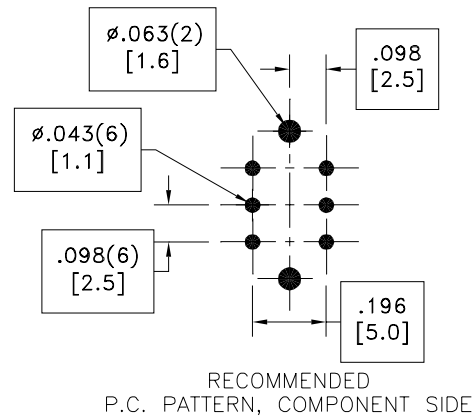
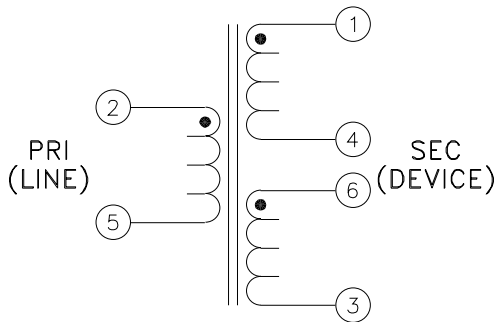
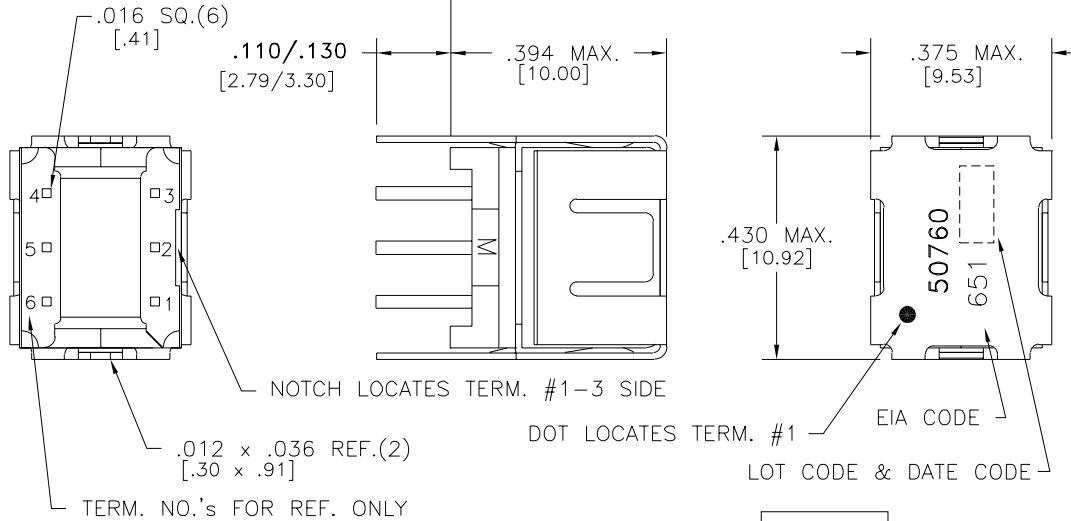


PART MUST INSERT FULLY TO SURFACE A IN RECOMMENDED GRID



SPECIFICATIONS:

- D.C. RESISTANCE (@20°C):
 2-5, 1.22 ohms ±10%.
 1-4, 0.28 ohms ±10%.
 6-3, 0.34 ohms ±10%.
- DIELECTRIC RATING: 1000VAC, 1 minute tested by applying 1250VAC for 1 second between 2-1; 6-2.
- INDUCTANCE: 10mH min., 10kHz, 100mVAC, 2-5, Ls.
- LEAKAGE INDUCTANCE: 10uH max., 10kHz, 100mVAC, 2-5(tie 1+3, 6+4), Ls.
- TURNS RATIO: (2-5):(1-3) = 2:1, (tie 4+6), ±1%.

Midcom, Inc. Watertown, SD USA Toll Free: 800-643-2661 Fax: 605-886-4486	Unless otherwise specified: Tolerances: Fractions: ±1/64 Angles: ±1° Decimals: ±.005(.127mm)		
	DRAWING TITLE <h3 style="text-align: center;">TRANSFORMER</h3>	DRAWING NO. <h2 style="text-align: center;">50760</h2>	REV. 6A
This drawing is dual dimensioned. Dimensions in brackets are in millimeters.	REVISIONS: SEE SHEET 1	SCALE ---	SHEET 2 OF 5

DWG.# 50760