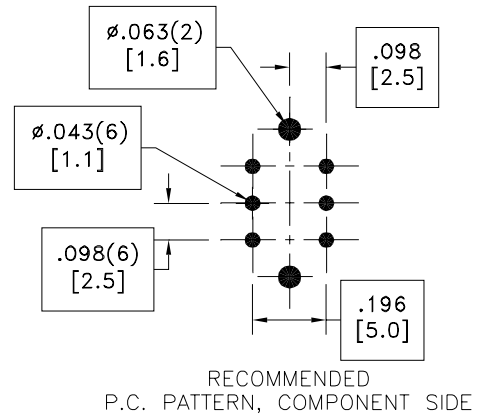
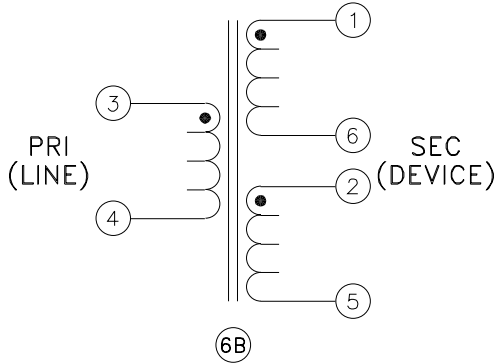
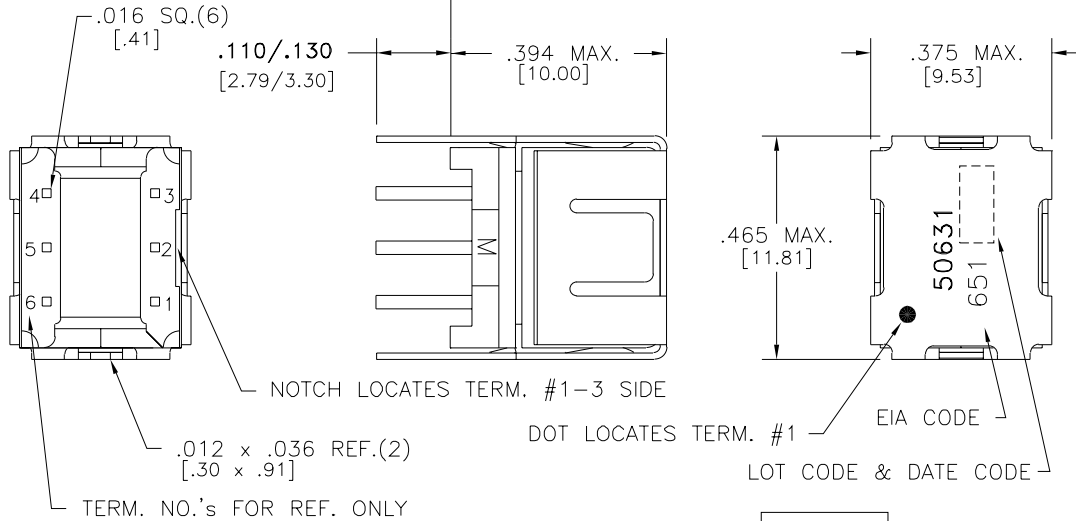


PART MUST INSERT FULLY TO SURFACE A IN RECOMMENDED GRID



ELECTRICAL SPECIFICATIONS @ 25°C unless otherwise noted:

- 6B D.C. RESISTANCE (@20°C): 3-4, 1.38 ohms max.  
1-6, 0.198 ohms max.  
2-5, 0.25 ohms max.
- DIELECTRIC RATING: 1000VAC, 1 minute tested by applying 1250VAC for 1 second between 3-1; 3-2.
- 6B INDUCTANCE: 10mH min., 10kHz, 100mVAC, 3-4, Ls.
- 6B LEAKAGE INDUCTANCE: 10uH max., 10kHz, 100mVAC, 3-4(tie 1+5, 2+6), Ls.
- 6B TURNS RATIO: (3-4):(1-5) = 3.330:1, (tie 6+2), ±1%.

<b>Midcom, Inc.</b> Watertown, SD USA Toll Free: 800-643-2661 Fax: 605-886-4486	Unless otherwise specified: Tolerances: Fractions: $\pm 1/64$ Angles: $\pm 1^\circ$ Decimals: $\pm .005$ (.127mm)		
	DRAWING TITLE <h2 style="text-align: center;">TRANSFORMER</h2>	DRAWING NO. <h2 style="text-align: center;">50631</h2>	REV. 6B
This drawing is dual dimensioned. Dimensions in brackets are in millimeters.	REVISIONS: SEE SHEET 1	SCALE ---	SHEET 2 OF 5

DWG.# 50631