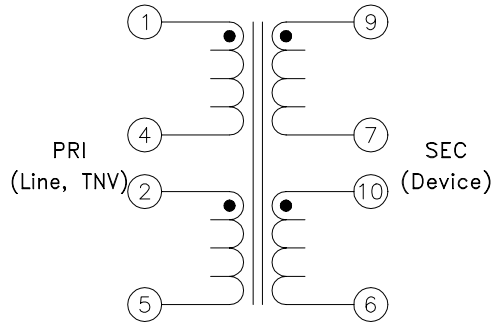
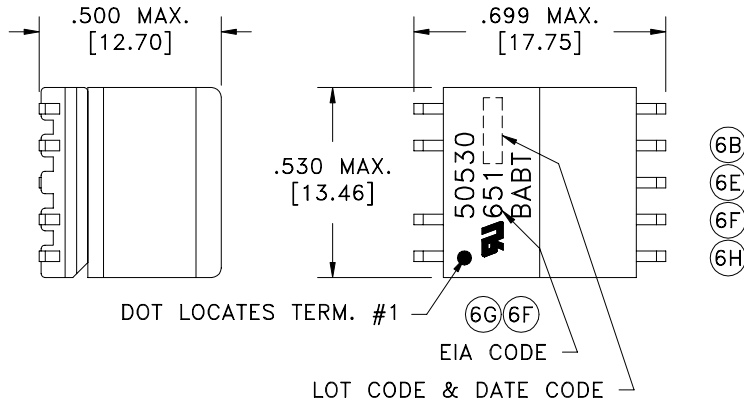
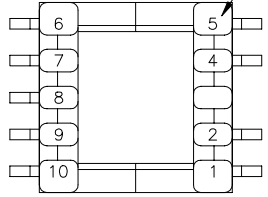
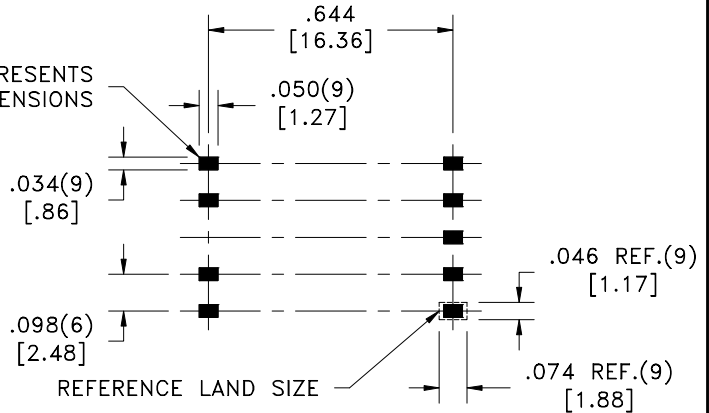


TERM. NO.'s FOR REF. ONLY



AREA REPRESENTS TERMINAL PAD DIMENSIONS



CUSTOMER TO DETERMINE LAND LAYOUT

6B 6F 6G 6H

ELECTRICAL SPECIFICATIONS @ 25°C unless otherwise noted:

LONGITUDINAL BALANCE: 60dB min., 35k-650kHz, per FCC part 68.310, with terminal 7 grounded.

D.C. RESISTANCE (@20°C):
 9-7, 0.30 ohms ±10%.
 1-4, 0.49 ohms ±10%.
 2-5, 0.49 ohms ±10%.
 10-6, 0.89 ohms ±10%.

INSERTION LOSS: 0.5dB max., at 100k, per IEEE method, 4+2DC max., 12.6 ohm load.

DIELECTRIC RATING: 1500VAC, 1 minute tested by applying 1875VAC for 1 second between 1-10.

INDUCTANCE: 55uH ±10%, 10kHz, 100mVAC, 9-7, Ls.

LEAKAGE INDUCTANCE: 0.5uH typ., 100kHz, 100mAAC, 9-7(tie 2+4, 1+5), Ls.
 8.0uH typ., 100kHz, 100mAAC, 10-6(tie 2+4, 1+5), Ls.

URNS RATIO:
 (1-4):(9-7) = 1.444:1, ±1%.
 (2-5):(1-4) = 1:1, ±1%.
 (10-6):(9-7) = 2.888:1, ±1%.

TOTAL HARMONIC DISTORTION: -80dB max., 100kHz, 15Vp-p, 12.6 ohm load,
 100 ohm input, tie(2+4).

6E 6G Designed to comply with the following requirements as defined by IEC60950, EN60950, UL60950/CSA60950 and AS/NZS60950:
 - Supplementary insulation for a primary circuit at a working voltage of 250Vrms.

6E AGENCY NUMBER	
6G BAPT	NC/006971
6G 6F UL 60950	E205930
6G 6F CSA 60950 (Via CUL)	E205930
IEC 950 (Via CB cert.)	GB436W
ACA/AUSTEL (Via CB cert.)	GB436W
JAPAN (Via CB cert.)	GB436W

Midcom, Inc.
 Watertown, SD USA
 Toll Free: 800-643-2661
 Fax: 605-886-4486

This drawing is dual dimensioned.
 Dimensions in brackets are in millimeters.

Unless otherwise specified:
 Tolerances: Fractions: ±1/64
 Angles: ±1° Decimals: ±.005[.13]

DRAWING TITLE
TRANSFORMER

REVISIONS: SEE SHEET 1

Midcom

DRAWING NO.

50530R

SCALE ---

6B REV.
 6E 6H
 7/03

SHEET 2 OF 6

DWG # 50530R