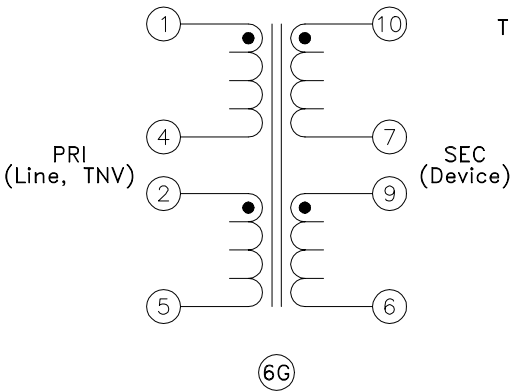
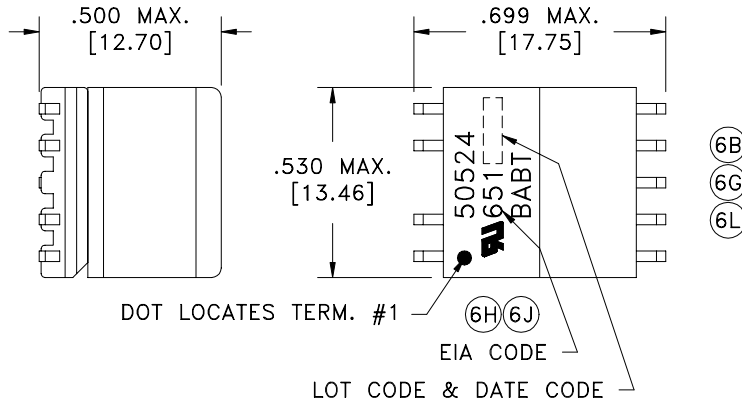
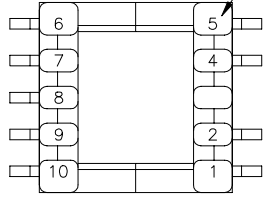
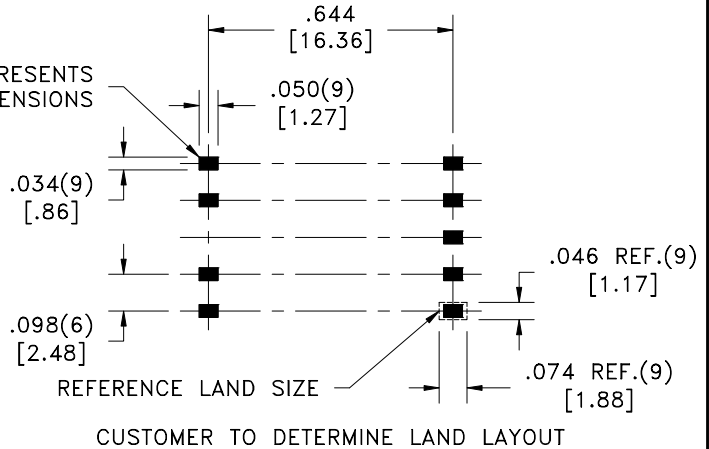


TERM. NO.'s FOR REF. ONLY



AREA REPRESENTS TERMINAL PAD DIMENSIONS



ELECTRICAL SPECIFICATIONS@ 25°C unless otherwise noted:

- LONGITUDINAL BALANCE: 60dB min., 20k - 250kHz, per ITU Method.
- D.C.RESISTANCE (@20°C):
 - 10-7, 1.04 ohms ±10%.
 - 9-6, 1.04 ohms ±10%.
 - 2-5, 0.69 ohms ±10%.
 - 1-4, 0.69 ohms ±10%.
- DIELECTRIC RATING: 1500VAC, 1 minute tested by applying 1875VAC for 1 second between PRI-SEC.
- INDUCTANCE: 476.5uH ±5%, 10kHz, 100mVAC, 1-5(tie 2+4), Ls.
- LEAKAGE INDUCTANCE: 10uH max., 10kHz, 100mVAC, 1-5(tie 2+4, 7+9, 10+6), Ls.
- TURNS RATIO:
 - (10-7):(9-6) = 1:1, ±1%.
 - (2-5):(1-4) = 1:1, ±1%.
 - (10-6):(1-5) = 1.4:1, tie(2+4, 7+9), ±2%.
- INTERWINDING CAPACITANCE: 18pF max., 10kHz, 750mVAC, 1-10(tie 2+4, 9+7), Cs.
- TOTAL HARMONIC DISTORTION: -80dB max., 100kHz, 15Vp-p drive signal at PRI.

Designed to comply with the following requirements as defined by IEC60950, EN60950, UL60950/CSA60950 and AS/NZS60950:
 - Supplementary insulation for a primary circuit at a working voltage of 250Vrms.

AGENCY NUMBER	
IEC 950 (Via CB cert.)	GB436W
JAPAN (Via CB cert.)	GB436W
ACA/AUSTEL (Via CB cert.)	GB436W
BABT	NC/006971
UL 60950	E205930
CSA 60950 (Via CUL)	E205930

DETAILS SUBJECT TO CHANGE

Midcom, Inc.
 Watertown, SD USA
 Toll Free: 800-643-2661
 Fax: 605-886-4486

Unless otherwise specified:
 Tolerances: Fractions: ±1/64
 Angles: ±1° Decimals: ±.005[.13]

DRAWING TITLE
TRANSFORMER

Midcom

DRAWING NO. **50524R**
 REV. 6L 7/03

REVISIONS: SEE SHEET 1

SCALE --- SHEET 2 OF 6

This drawing is dual dimensioned.
 Dimensions in brackets are in millimeters.

DWG # 50524R