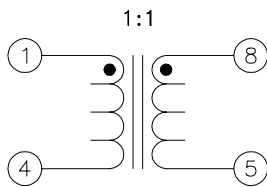
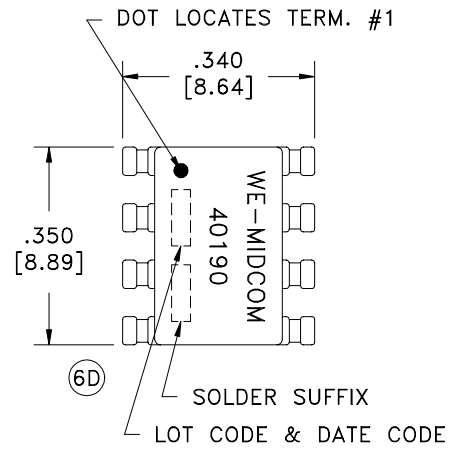
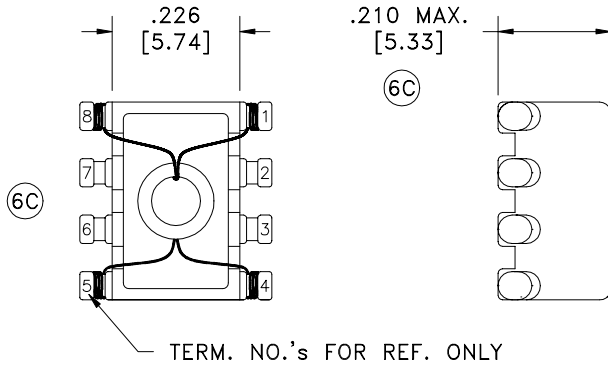
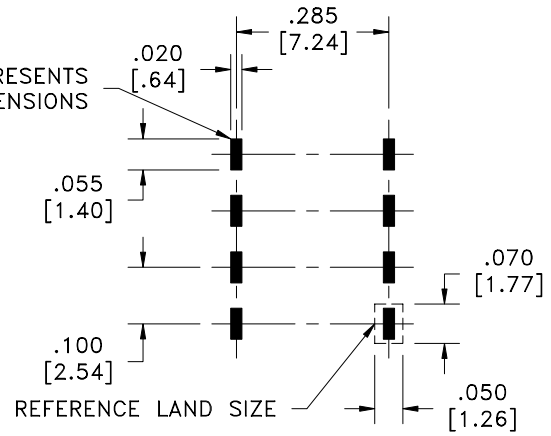


SOLDER SUFFIX	CUSTOMER TERMINAL	RoHS	LEAD(Pb)-FREE
	Sn63%, Pb37%	No	No
LF2	Sn98%, Cu2%	Yes	Yes



AREA REPRESENTS TERMINAL PAD DIMENSIONS



ELECTRICAL SPECIFICATIONS @ 25°C unless otherwise noted:

- D.C. RESISTANCE (@20°C): 1-4, 0.70 ohm max.
8-5, 0.70 ohm max.
- DIELECTRIC RATING: 1500VAC, 1 minute tested by applying 1875VAC for 1 second between 1-8.
- INDUCTANCE: 3.1mH min., 10kHz, 100mVAC, 1-4, Ls.
- TURNS RATIO: (1-4):(8-5) = 1:1, ±1%.
- COMMON MODE ATTENUATION: -45db Typ., 500kHz.
-48db Typ., 2MHz.
-42db Typ., 10MHz.

- ⑥E OPERATING TEMPERATURE RANGE: -40°C to +85°C.
- ⑥E Midcom p/n 40190R-LF2 is eiSos p/n: 750040190.

DETAILS SUBJECT TO CHANGE

Unless otherwise specified: Tolerances: Angles: ±1° Fractions: ±1/64 Decimals: ±.005[.13]	DRAWING TITLE <h2 style="text-align: center;">INDUCTOR</h2>		DWG # 40190R/-LF2
	eiSos p/n: 750040190		
This drawing is dual dimensioned. Dimensions in brackets are in millimeters.	REVISIONS: SEE SHEET 1	SCALE ---	REV. 6E 9/07 SHEET 2 OF 5